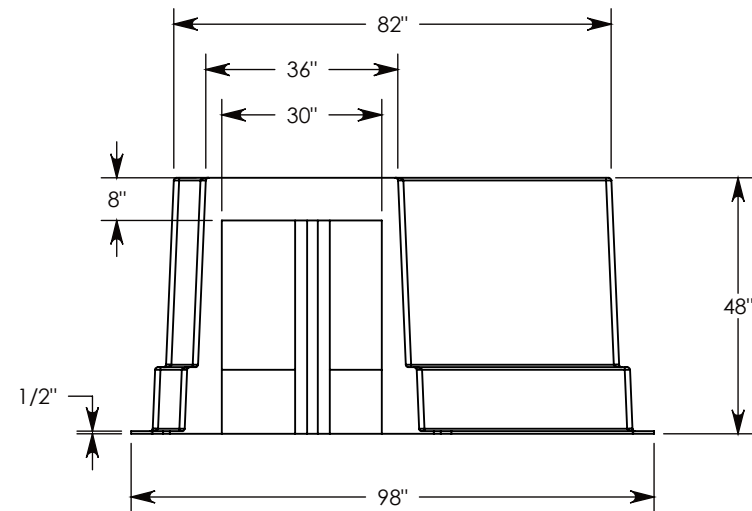
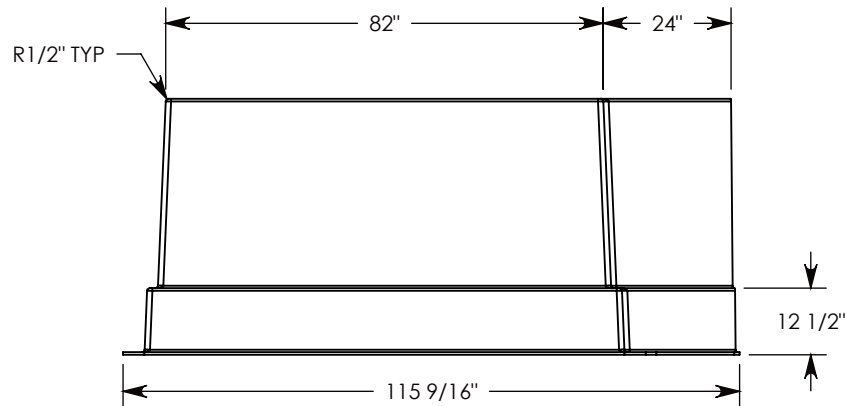
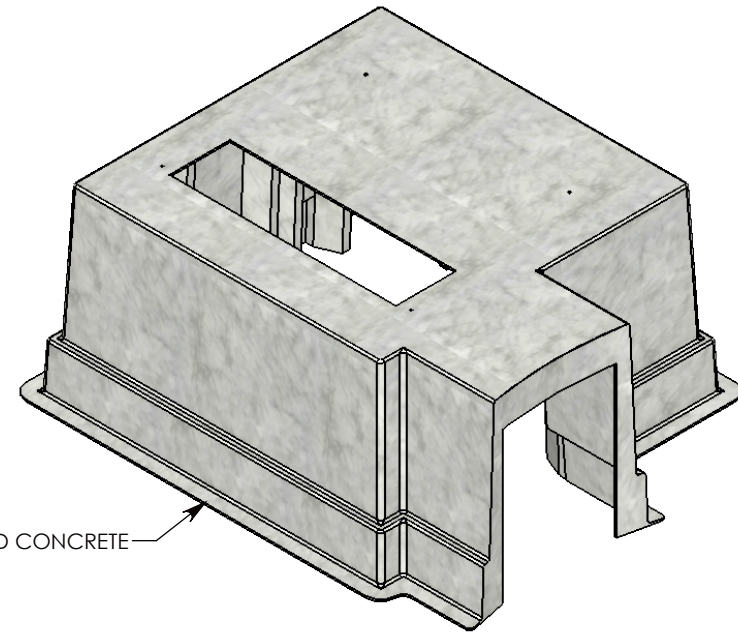
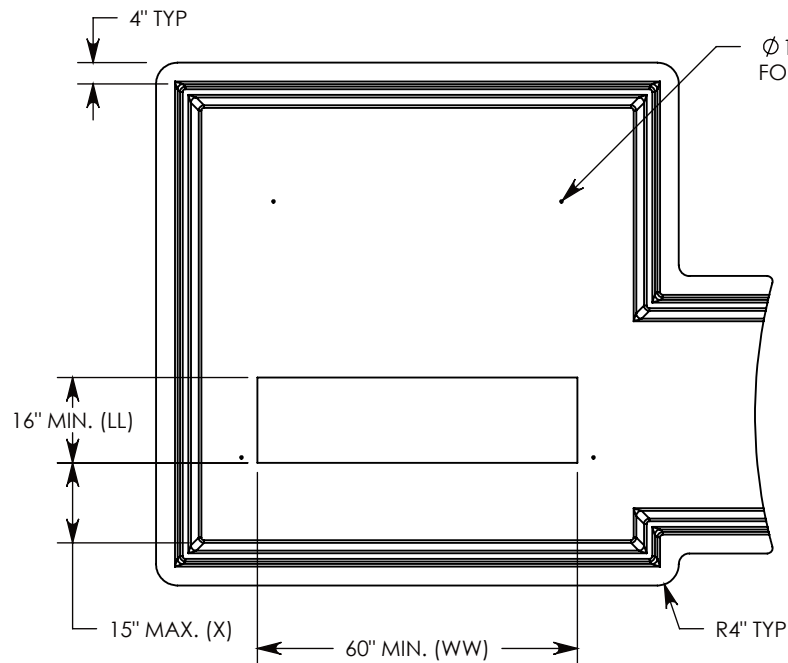


FIBERCRETE®



DRAWN BY: **SAMUEL CALLAHAN**

DATE: **6/11/2019**

REVISION LEVEL: **0**

WEIGHT:

3433 LBS.

MATERIAL:

FIBERCRETE FC

CONCAST
 1010 NORTH STAR DRIVE
 P.O. BOX 69
 ZUMBROTA, MN 55992-0069

DESCRIPTION:

INTEGRATED TUNNEL BOX PAD

DIMENSIONS ARE IN INCHES
 TOLERANCES:
 FRACTIONAL: ± 1/8"
 ANGULAR: ± 2°

CONTACT INFORMATION:
 EMAIL: INFO@CONCASTINC.COM
 PHONE: (507) 732-4095
 FAX: (507) 732-4094

SHEET 1 OF 1

PART NUMBER:

FC-82-82-48-IT-LLWW(X)