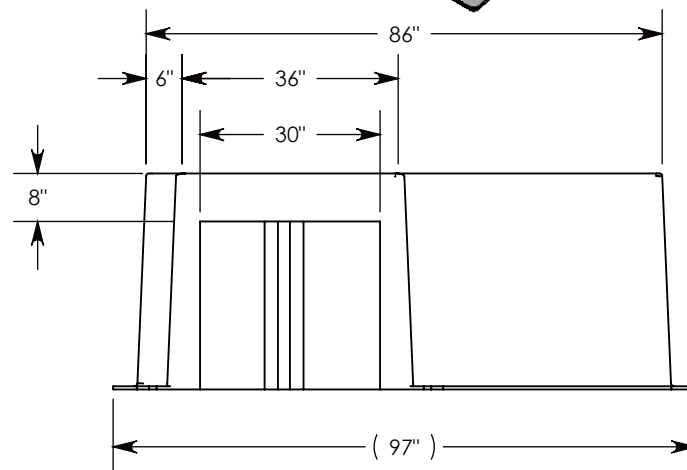
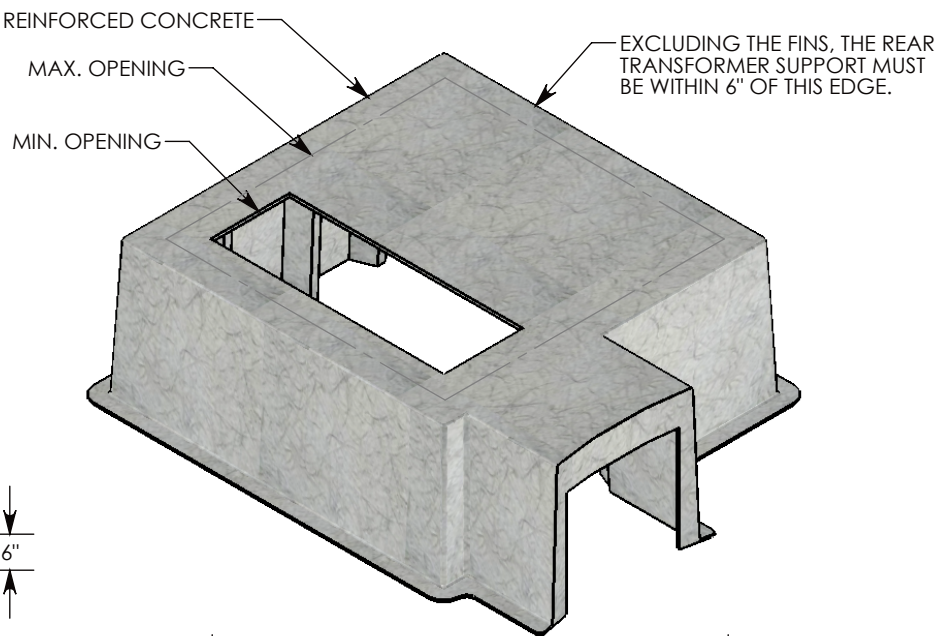
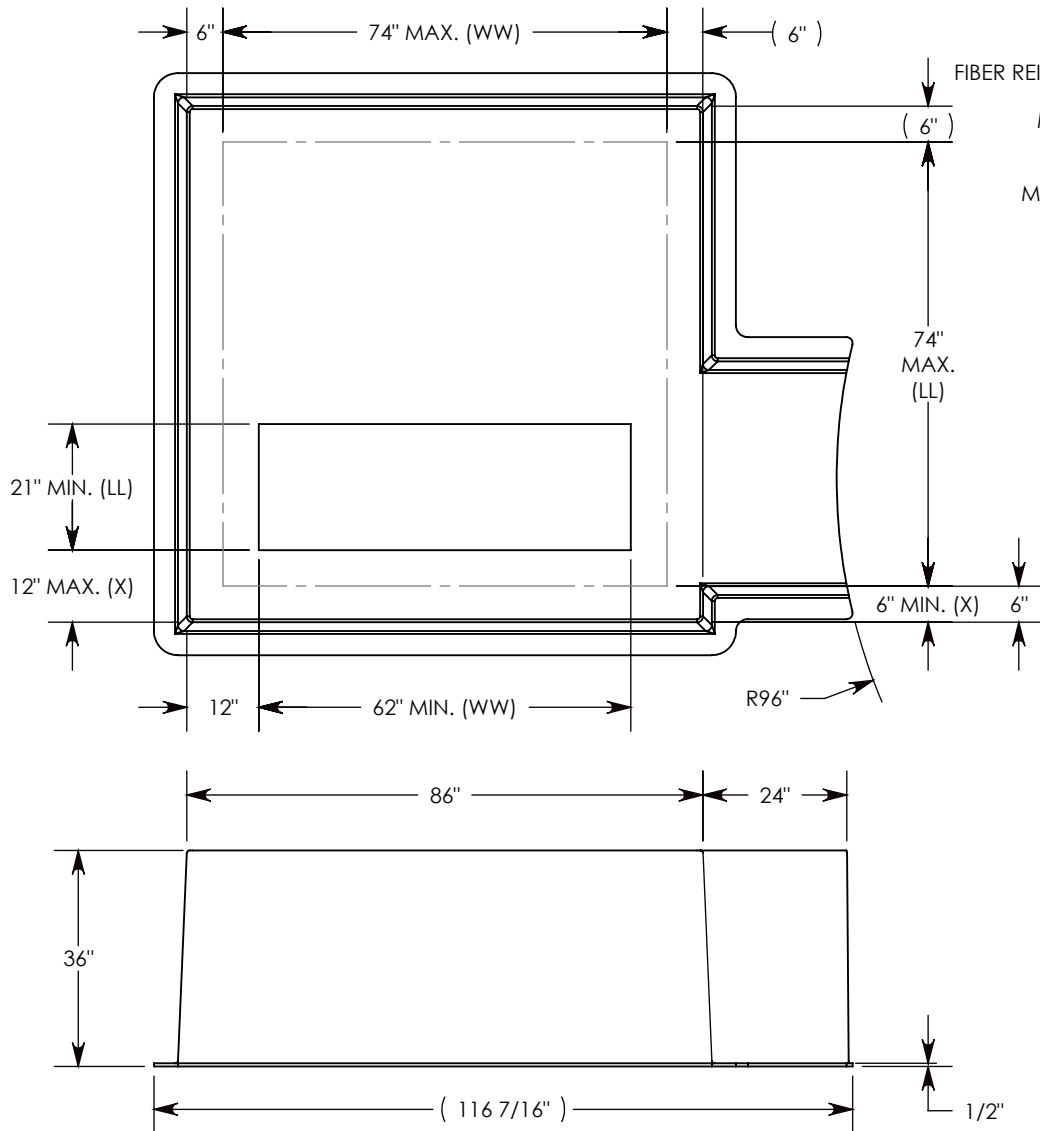


FIBERCRETE®



NOTE 1: Ø 1/2"-13 UNC LIFTING INSERTS WILL BE CAST INTO BOX PAD IF SPECIFIC INSERTS OR MOUNTING HARDWARE ARE REQUIRED, PLEASE SPECIFY WHEN ORDERING.
NOTE 2: PART NUMBER IS BASED ON OPENING SIZE. IE: THE SMALLEST OPENING PAD IS P/N: FC-86-86-36-IT-2162 (12) THE LARGEST OPENING PAD IS P/N: FC-86-86-36-IT-7474

DRAWN BY: ROBIN FLINT

CREATED DATE: 3/28/2008 **REVISION LEVEL: A**
SAVED DATE: 2/22/2021 **SAVED BY: scallahan**

WEIGHT: - LBS. **MATERIAL: FIBERCRETE FC**

CONCAST
 1010 NORTH STAR DRIVE
 P.O. BOX 69
 ZUMBROTA, MN 55992-0069

DESCRIPTION:

INTEGRATED TUNNEL BOX PAD

DIMENSIONS ARE IN INCHES
 TOLERANCES:
 FRACTIONAL: ± 1/8"
 ANGULAR: ± 2°

CONTACT INFORMATION:
 EMAIL: INFO@CONCASTINC.COM
 PHONE: (507) 732-4095
 FAX: (507) 732-4094

SHEET 1 OF 1

PART NUMBER:

FC-86-86-36-IT-LLWW(X)