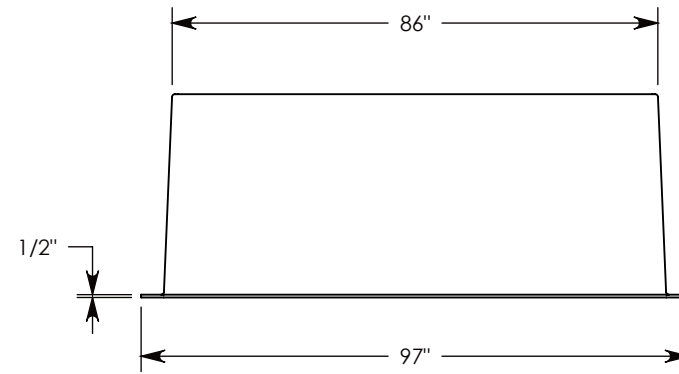
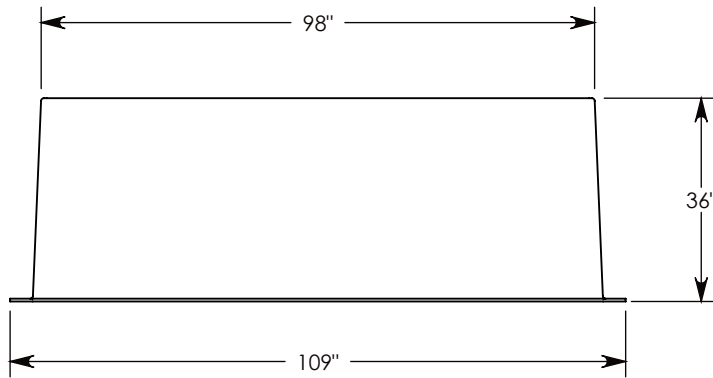
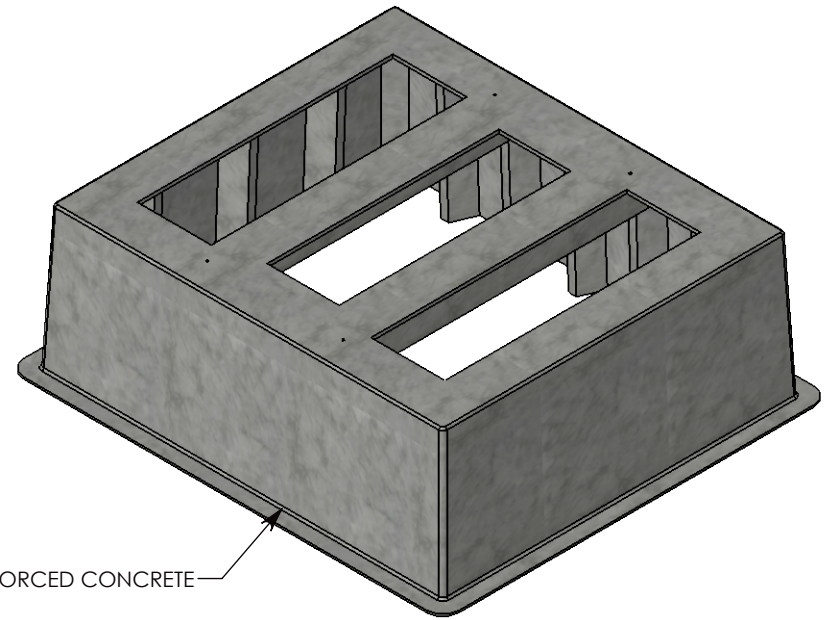
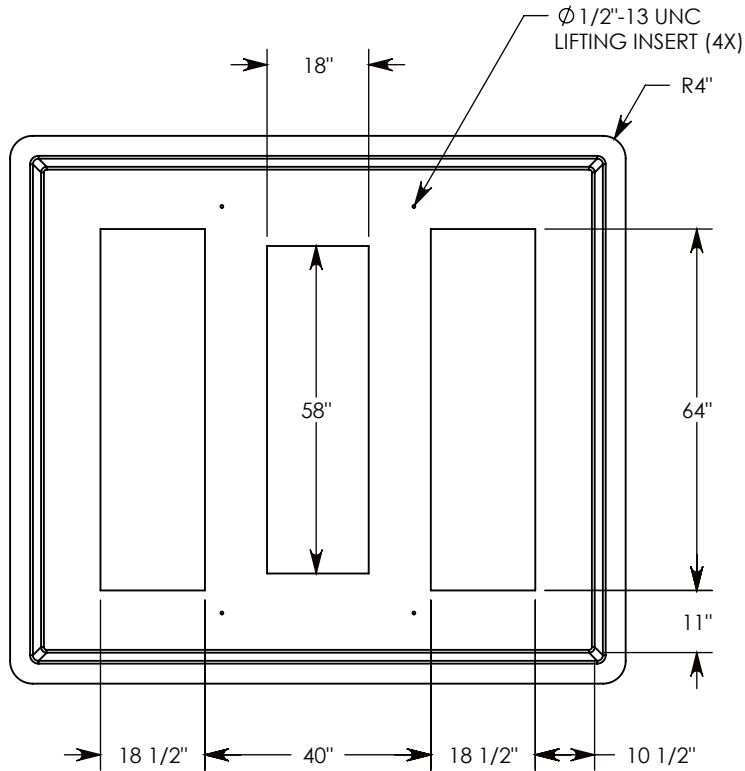


FIBERCRETE®



NOTE 1: IF SPECIFIC INSERTS OR MOUNTING HARDWARE ARE REQUIRED, PLEASE SPECIFY WHEN ORDERING.

DRAWN BY: JESSE GUTTING	
CREATED DATE: 10/7/2019	REVISION LEVEL: 0
SAVED DATE: 10/7/2019	SAVED BY: JGUTTING
WEIGHT: 1376 LBS.	MATERIAL: FIBERCRETE FC



1010 NORTH STAR DRIVE
P.O. BOX 69
ZUMBROTA, MN 55992-0069

DESCRIPTION: FIBERCRETE PAD BOX		SHEET 1 OF 1
<small>DIMENSIONS ARE IN INCHES TOLERANCES: FRACTIONAL: ± 1/8" ANGULAR: ± 2°</small>	<small>CONTACT INFORMATION: EMAIL: INFO@CONCASTINC.COM PHONE: (507) 732-4095 FAX: (507) 732-4094</small>	
PART NUMBER: FC-86-98-36(40)2-6418		