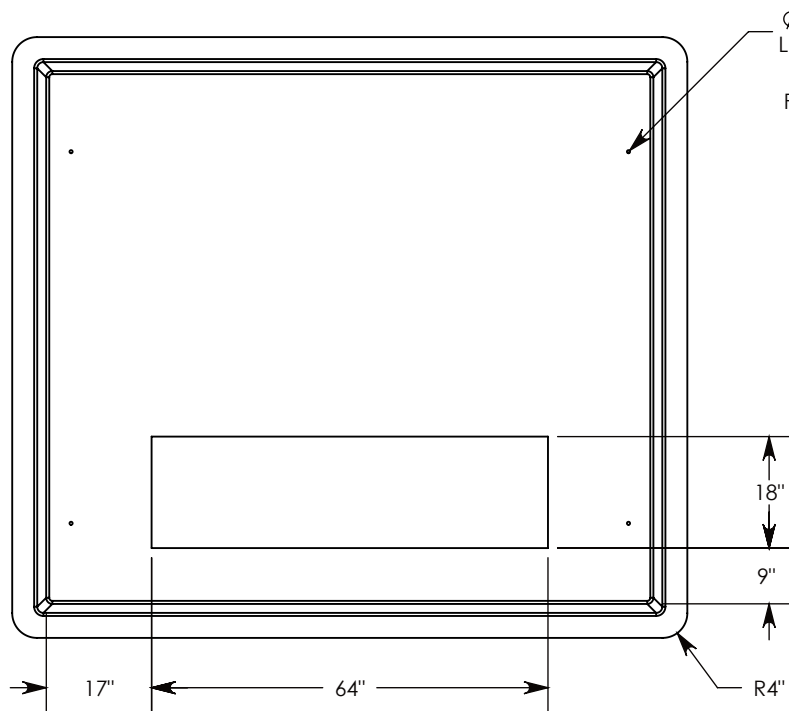


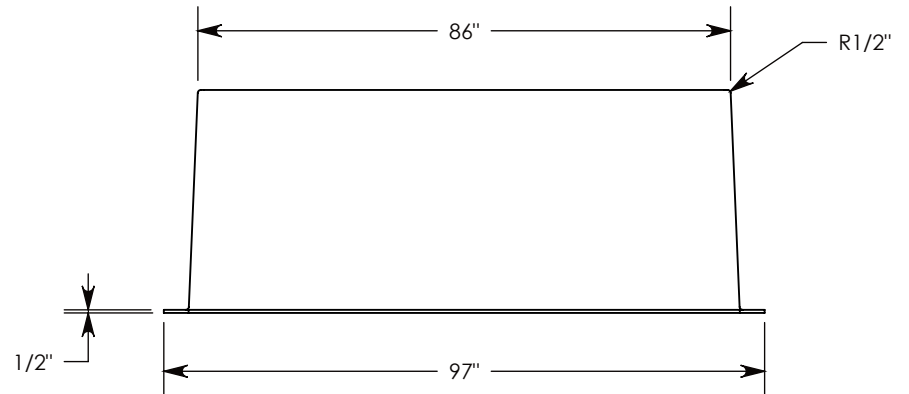
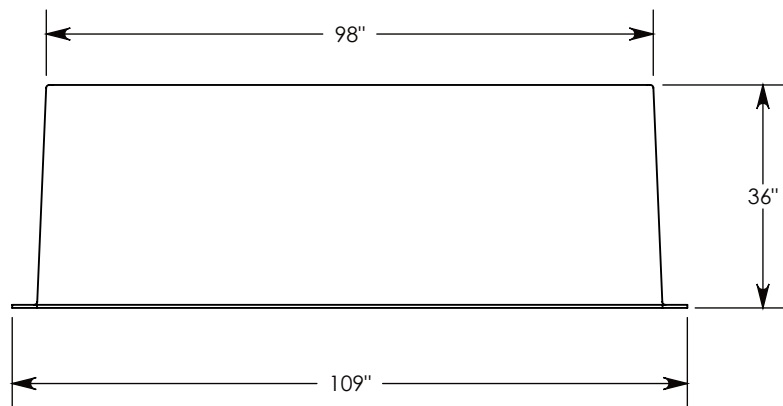
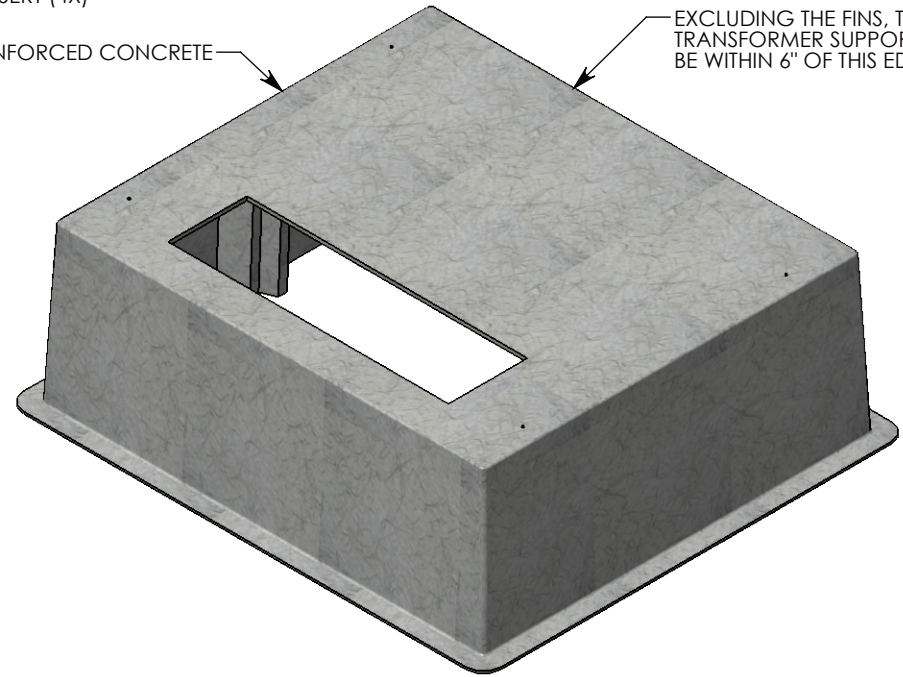
FIBERCRETE®



Ø 1/2"-13 UNC
LIFTING INSERT (4X)

FIBER REINFORCED CONCRETE

EXCLUDING THE FINIS, THE REAR
TRANSFORMER SUPPORT MUST
BE WITHIN 6" OF THIS EDGE.



NOTE 1: Ø 1/2"-13 UNC LIFTING INSERTS WILL BE CAST INTO BOX PAD
IF SPECIFIC INSERTS OR MOUNTING HARDWARE ARE REQUIRED, PLEASE SPECIFY WHEN ORDERING.

DRAWN BY: ROBIN FLINT

DATE: 7/15/2019

REVISION LEVEL: 0

WEIGHT:

1671 LBS.

MATERIAL:

FIBERCRETE FC



DESCRIPTION:

FIBERCRETE PAD BOX

DIMENSIONS ARE IN INCHES
TOLERANCES:
FRACTIONAL: ± 1/8"
ANGULAR: ± 2°

CONTACT INFORMATION:
EMAIL: INFO@CONCASTINC.COM
PHONE: (507) 732-4095
FAX: (507) 732-4094

SHEET 1 OF 1

PART NUMBER:

FC-86-98-36-1864(9)