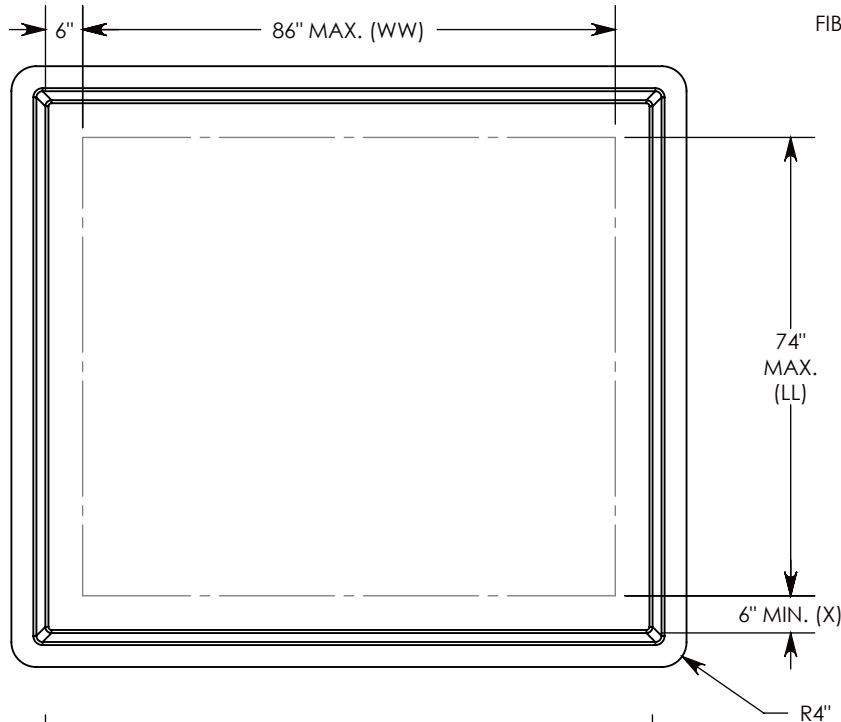


REV B - MKM - 8/31/18 - REMOVED MIN OPENING  
 REV C - SIC - 6/13/2019 - ADDED WEIGHT

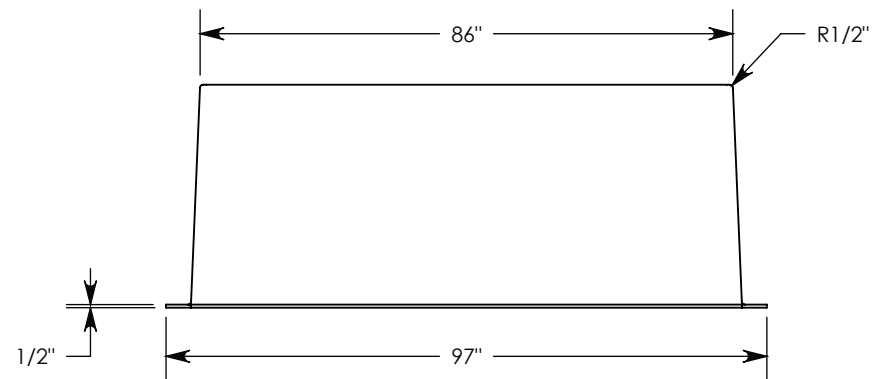
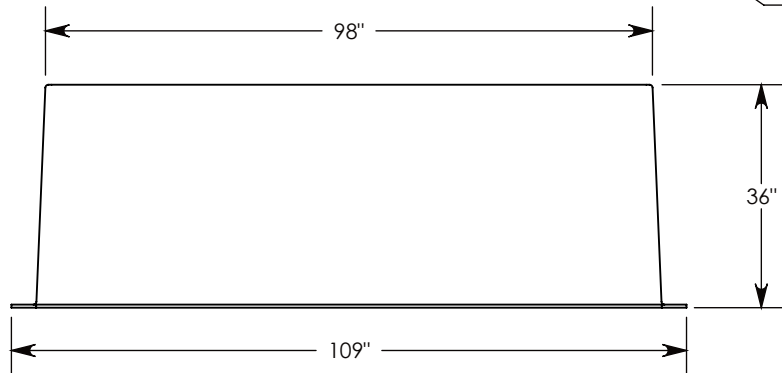
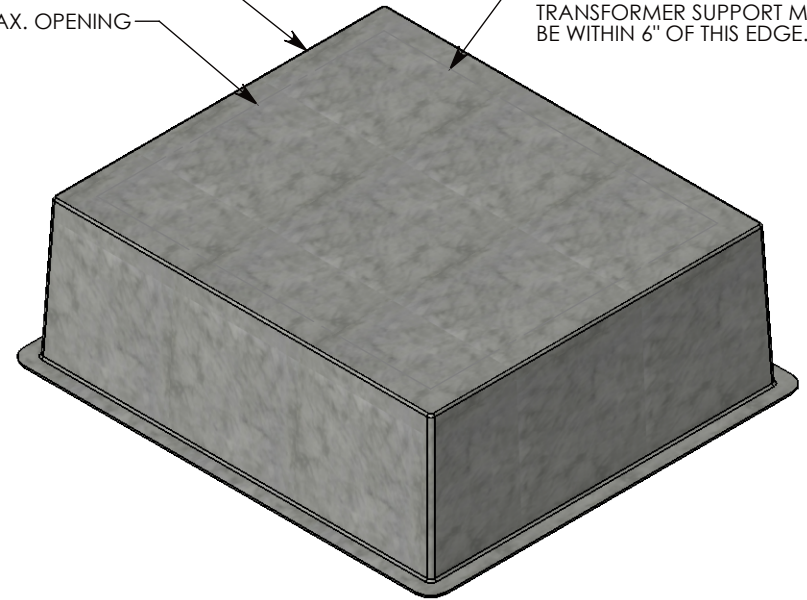
**FIBERCRETE**®



FIBER REINFORCED CONCRETE

MAX. OPENING

EXCLUDING THE FINIS, THE REAR TRANSFORMER SUPPORT MUST BE WITHIN 6" OF THIS EDGE.



Ø 1/2"-13 UNC LIFTING INSERTS WILL BE CAST INTO BOX PAD  
 IF SPECIFIC INSERTS OR MOUNTING HARDWARE ARE REQUIRED, PLEASE SPECIFY WHEN ORDERING.  
 PART NUMBER IS BASED ON OPENING SIZE. IE: THE LARGEST OPENING PAD IS P/N: FC-86-98-36-7486  
 THERE IS NO MINIMUM OPENING

DRAWN BY: **ROBIN FLINT**

DATE: **2/20/2020**

REVISION LEVEL: **C**

WEIGHT:

**1519 LBS.**

MATERIAL:

**FIBERCRETE FC**



DESCRIPTION:

**FIBERCRETE PAD BOX**

DIMENSIONS ARE IN INCHES  
 TOLERANCES:  
 FRACTIONAL: ± 1/8"  
 ANGULAR: ± 2°

CONTACT INFORMATION:  
 EMAIL: INFO@CONCASTINC.COM  
 PHONE: (507) 732-4095  
 FAX: (507) 732-4094

SHEET 1 OF 1

PART NUMBER:

**FC-86-98-36-LLWW (X)**