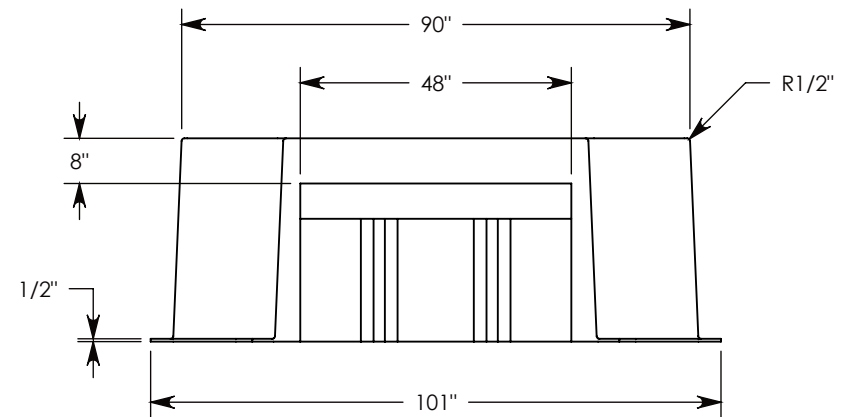
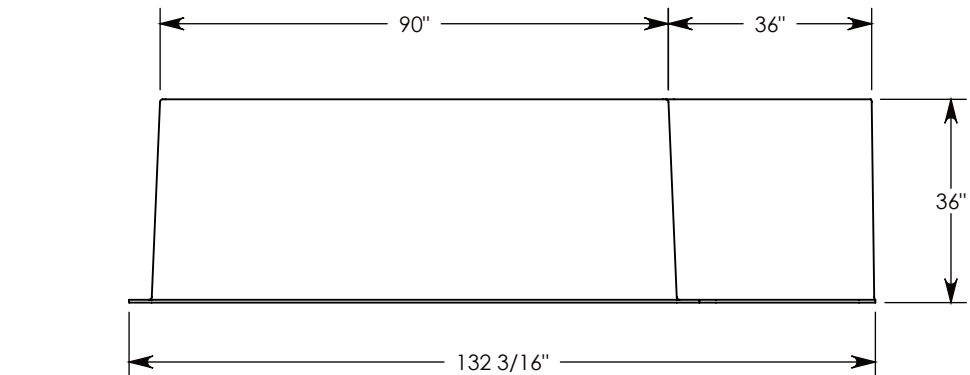
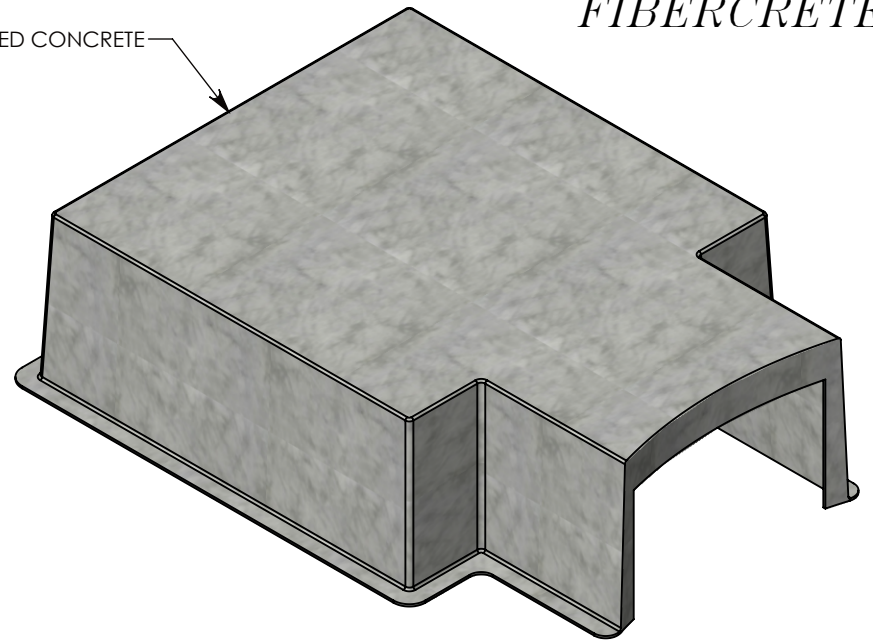
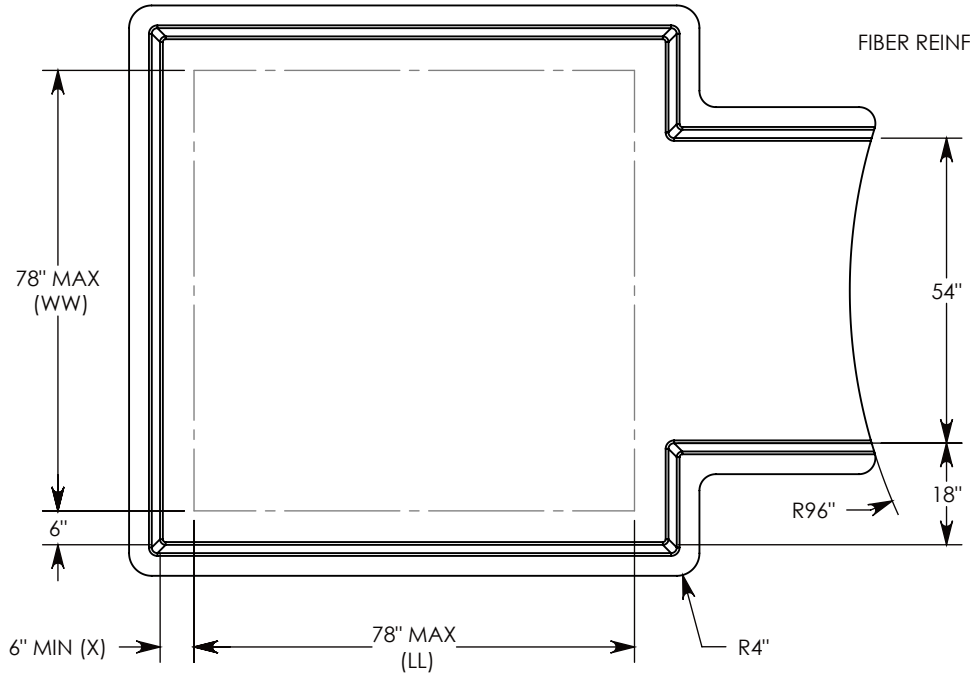


FIBERCRETE®



**NOTE 1:**  $\varnothing$  1/2"-13 UNC LIFTING INSERTS WILL BE CAST INTO BOX PAD  
 IF SPECIFIC INSERTS OR MOUNTING HARDWARE ARE REQUIRED, PLEASE SPECIFY WHEN ORDERING  
**NOTE 2:** PART NUMBER IS BASED ON OPENING SIZE. IE: THE LARGEST OPENING PAD IS P/N: FC-90-90-36-FIT-7878  
 THERE IS NO MINIMUM OPENING SIZE

DRAWN BY: <b>JESSE GUTTING</b>	
CREATED DATE: <b>1/8/2020</b>	REVISION LEVEL: <b>0</b>
SAVED DATE: <b>1/9/2020</b>	SAVED BY: <b>rlager</b>
WEIGHT: <b>2246 LBS.</b>	MATERIAL: <b>FIBERCRETE FC</b>



1010 NORTH STAR DRIVE  
 P.O. BOX 69  
 ZUMBROTA, MN 55992-0069

DESCRIPTION: <b>FIBERCRETE BOX PAD</b>		SHEET 1 OF 1
DIMENSIONS ARE IN INCHES TOLERANCES: FRACTIONAL: $\pm$ 1/8" ANGULAR: $\pm$ 2°	CONTACT INFORMATION: EMAIL: <a href="mailto:INFO@CONCASTINC.COM">INFO@CONCASTINC.COM</a> PHONE: (507) 732-4095 FAX: (507) 732-4094	
PART NUMBER: <b>FC-90-90-36-FIT-LLWW(X)</b>		