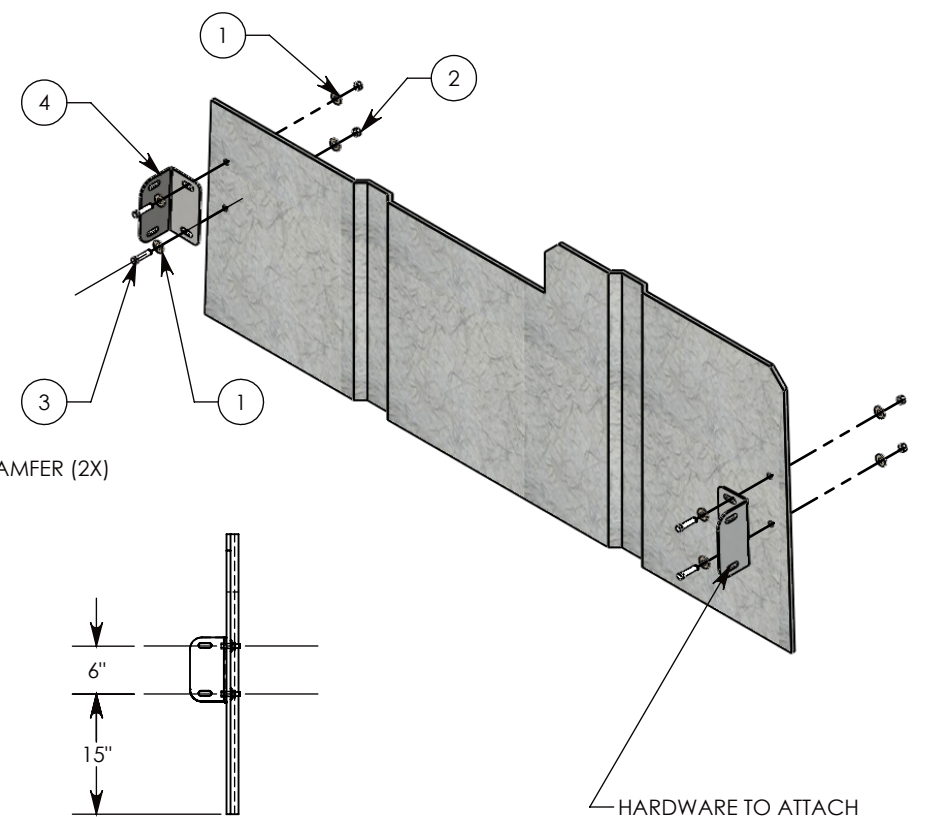
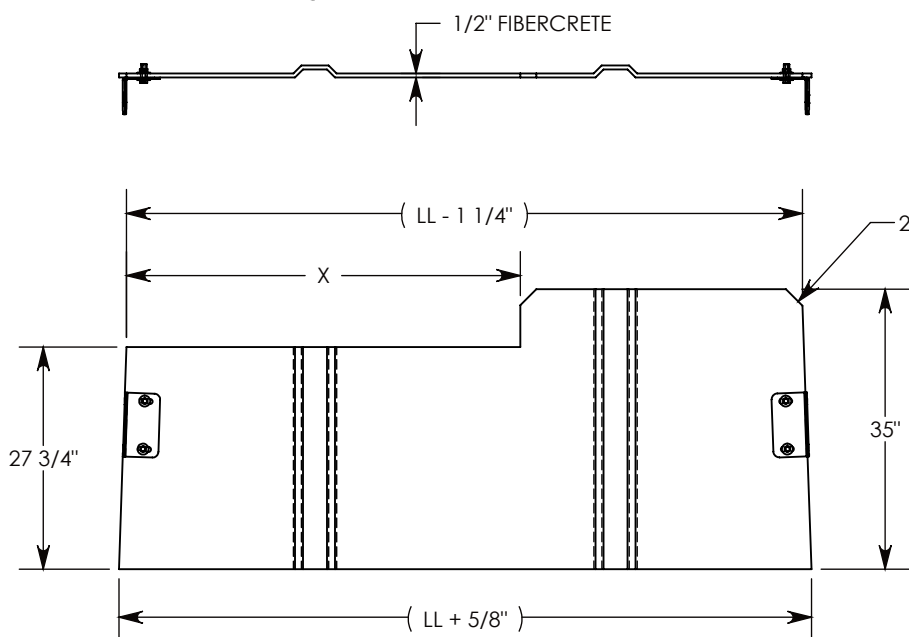


ITEM NO.	PART NUMBER	DESCRIPTION	QTY.
1	1/2" X 1-3/8" WASHER	1/2" FENDER WASHER - 1-3/8" OD	16
2	1/2" HH NUT	1/2-13 UNC HEX HEAD NUT	8
3	1/2" X 2" HH BOLT	1/2-13 UNC X 2" LG HEX HD BOLT	8
4	DIV-BKT-WALL	DIVIDER BOARD MNT BRACKET	2
5	FC-LL-36-DIV	FIBERCRETE BOX PAD DIVIDER	1



HARDWARE TO ATTACH BRACKET TO BOX PAD VERTICAL WALLS NOT SHOWN

Ø 5/8" CLEARANCE HOLES TO BE LOCATED AND DRILLED INTO THE BOX PAD VERTICAL WALLS ONSITE BY CUSTOMER.

THE VARIABLE "X" DIMENSION WILL BE DESIGNATED BY CONCAST BASED ON THE CHOSEN BOX PAD.
THE VARIABLE "LL" DIMENSION CORRESPONDS TO THE CHOSEN BOX PAD'S NOMINAL LENGTH.

DRAWN BY: ROBIN FLINT	
DATE: 2/23/2012	REVISION LEVEL: 0
WEIGHT: -- LBS.	MATERIAL: FIBERCRETE

1010 NORTH STAR DRIVE
P.O. BOX 69
ZUMBROTA, MN 55992-0069

DESCRIPTION:		
GENERIC BOX PAD DIVIDER		
DIMENSIONS ARE IN INCHES TOLERANCES: FRACTIONAL: ± 1/8" ANGULAR: ± 2°	CONTACT INFORMATION: EMAIL: INFO@CONCASTINC.COM PHONE: (507) 732-4095 FAX: (507) 732-4094	SHEET 1 OF 1
PART NUMBER:		
FC-LL-36-DIV		