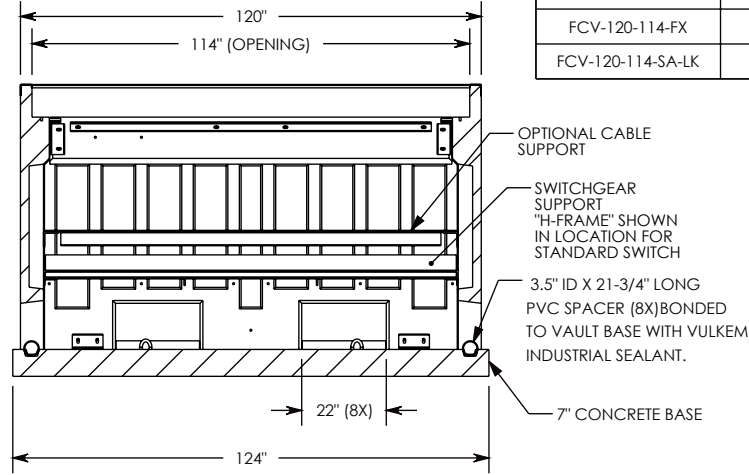
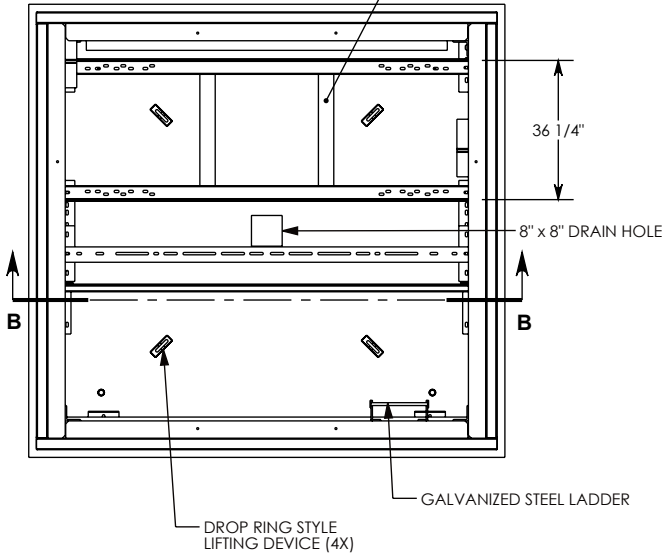
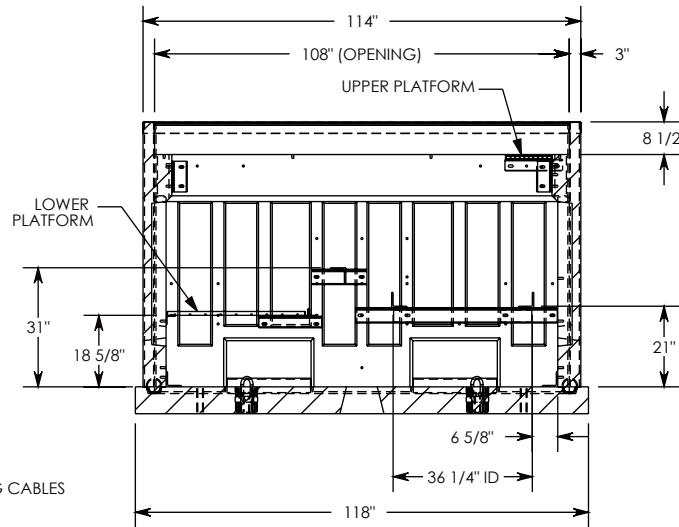
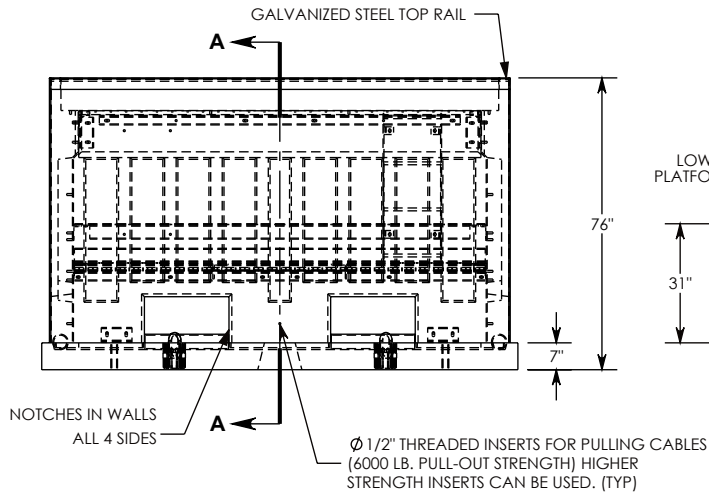


UPPER AND LOWER PLATFORM REMOVED FROM THIS VIEW.

SWITCHGEAR SUPPORT - 3/8" ANGLE (TYP) ADJUSTABLE TO FIT 2,3, & 4 WAY UNITS. WILL ALSO FIT THE VISTA R1 MODELS.



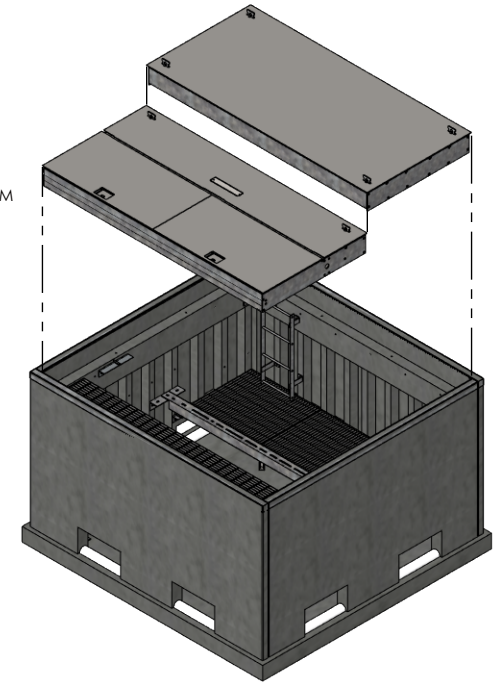
SECTION B-B



SECTION A-A

VAULT PACKAGE BILL OF MATERIALS (BOM)

PART NUMBER	DESCRIPTION	QTY
FCV-120-114-76-N	VAULT WITH STAINLESS STEEL HARDWARE (HKIT-120-114-SS)	1
FCV-120-114-FX	FIXED STEEL COVER WITH STD. DECK PLATE	1
FCV-120-114-SA-LK	SPRING-ASSISTED STEEL COVER WITH STD. DECK PLATE	1



- NOTES:
1. VAULT IS RATED FOR AASHTO H-20, 32,000 LB. AXLE LOAD.
  2. DESIGNED PER S & C PULL BOX SPECIFICATIONS DATA SHEET 681-51. INCLUDING ALL OPTIONAL INTERIOR STEEL HARDWARE.
  3. ALL INTERNAL HARDWARE IS STAINLESS STEEL.
  4. VAULT COMES PRE-ASSEMBLED WITH COVERS REMOVED FOR EASY INSTALLATION OF YOUR SWITCHGEAR.
  5. UNIT MUST BE LIFTED VIA THE FOUR CAST-IN, DROP RING LIFTING DEVICES SHOWN.

AASHTO H-20 RATED – 32,000 LB. SINGLE AXLE LOAD

DRAWN BY: **JESSE GUTTING**

CREATED DATE: **10/20/2009**

REVISION LEVEL: **C**

SAVED DATE: **1/5/2023**

SAVED BY: **jgutting**

WEIGHT:

**22471 LBS.**

MATERIAL:

**NOTED**



1010 NORTH STAR DRIVE  
P.O. BOX 69  
ZUMBROTA, MN 55992-0069

DESCRIPTION:

**PRECAST CONCRETE VAULT**

DIMENSIONS ARE IN INCHES

TOLERANCES:  
FRACTIONAL: ± 1/8"  
ANGULAR: ± 2°

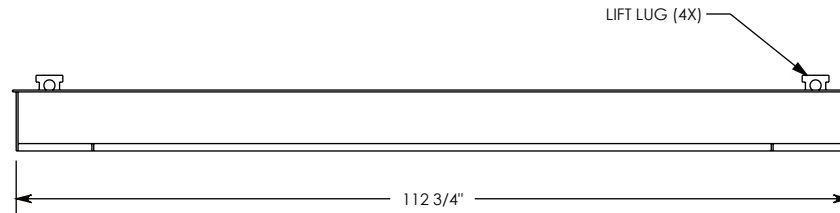
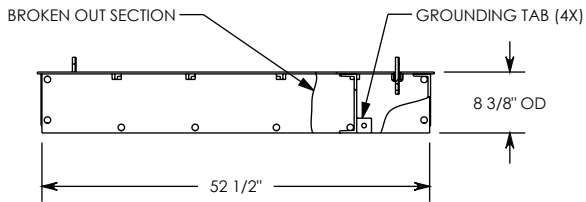
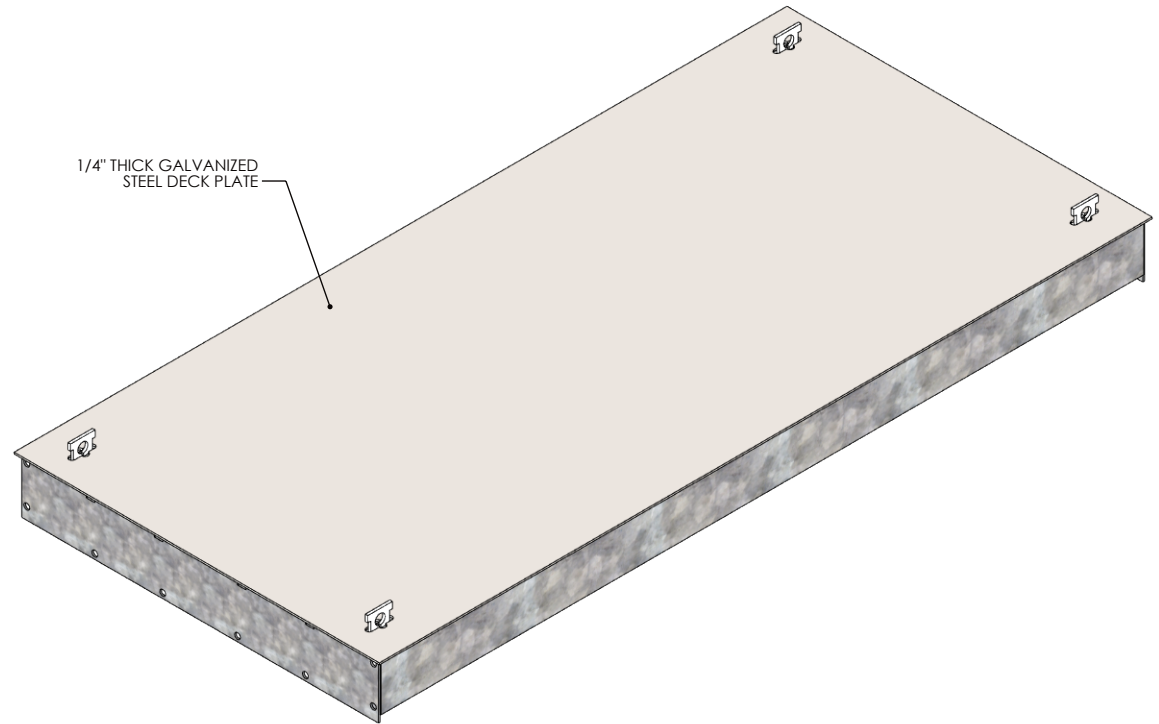
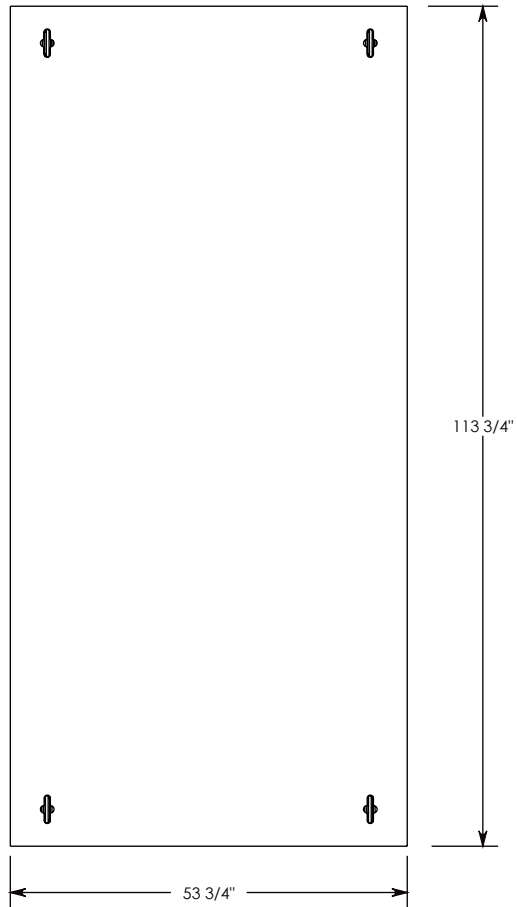
CONTACT INFORMATION:

EMAIL: [INFO@CONCASTINC.COM](mailto:INFO@CONCASTINC.COM)  
PHONE: (507) 732-4095  
FAX: (507) 732-4094

SHEET 1 OF 4

PART NUMBER:

**FCV-120-114-76-N**



**NOTE 1:** COVER FITS A 120-114 VAULT (OPENINGSIZE = 114" X108")

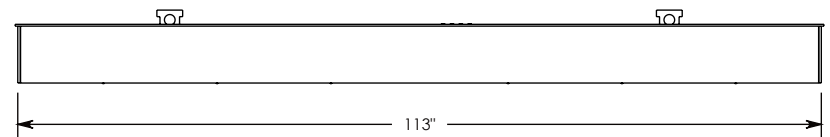
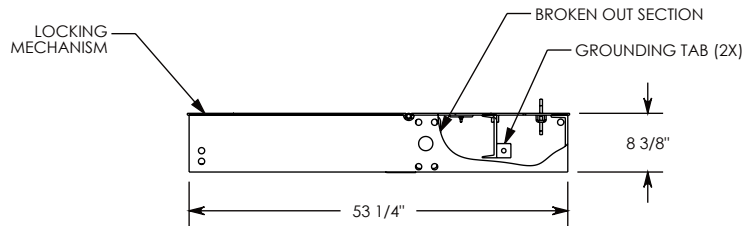
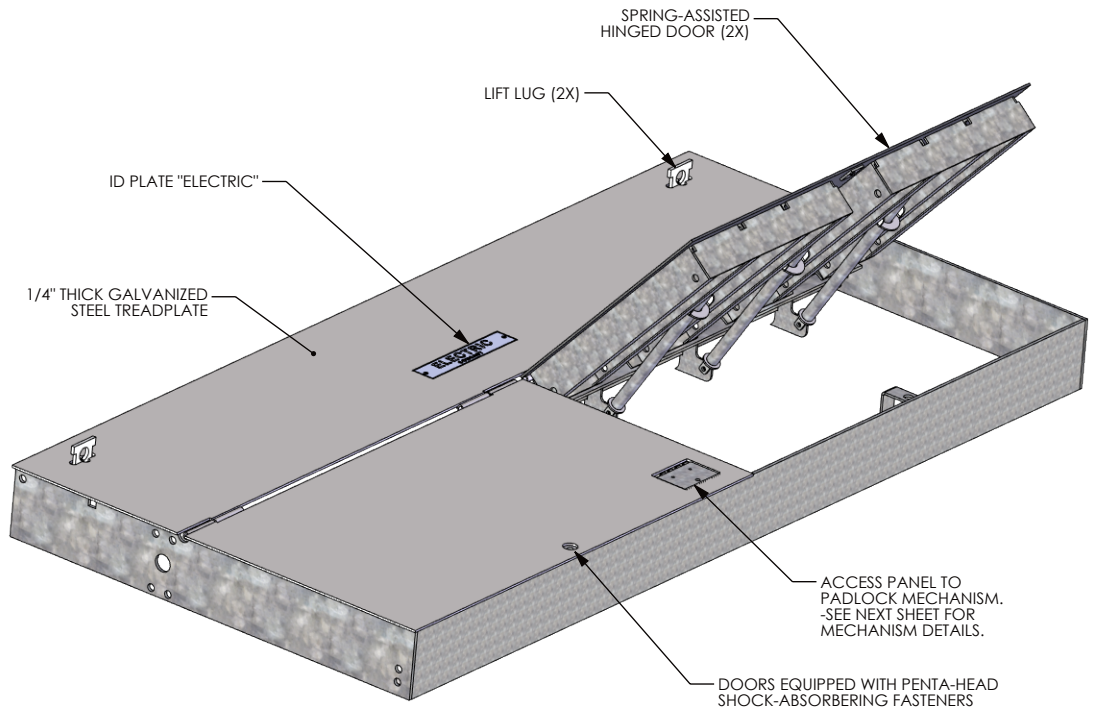
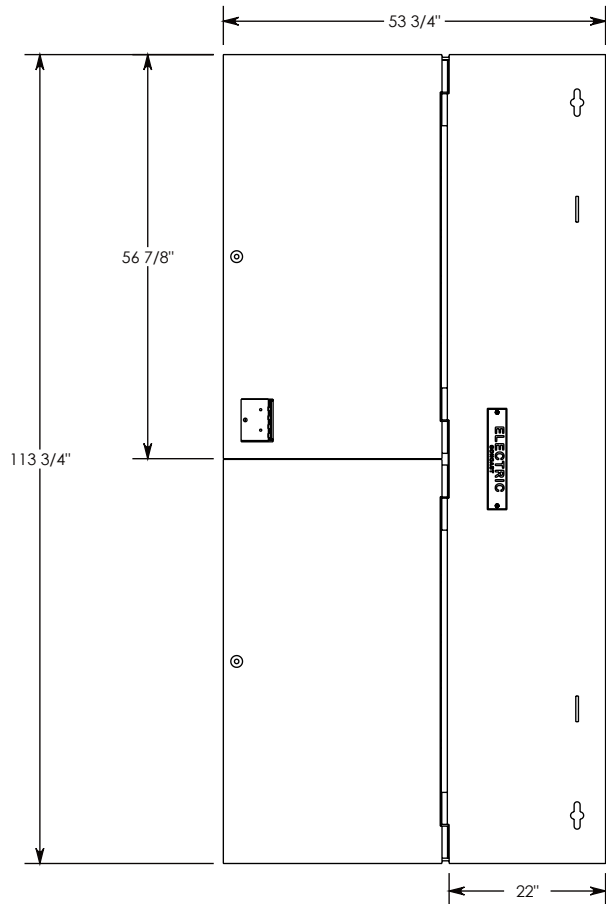
AASHTO H-20 RATED – 32,000 LB. SINGLE AXLE LOAD

DRAWN BY: <b>JESSE GUTTING</b>	
CREATED DATE: <b>10/20/2009</b>	REVISION LEVEL: <b>0</b>
SAVED DATE: <b>1/5/2023</b>	SAVED BY: <b>jgutting</b>
WEIGHT: <b>1289 LBS.</b>	MATERIAL: <b>WELDED GALV. STEEL</b>



1010 NORTH STAR DRIVE  
P.O. BOX 69  
ZUMBROTA, MN 55992-0069

DESCRIPTION: <b>VAULT COVER - FIXED</b>		SHEET 2 OF 4
DIMENSIONS ARE IN INCHES TOLERANCES: FRACTIONAL: ± 1/8" ANGULAR: ± 2°	CONTACT INFORMATION: EMAIL: INFO@CONCASTINC.COM PHONE: (507) 732-4095 FAX: (507) 732-4094	
PART NUMBER: <b>FCV-120-114-FX</b>		



**NOTE 1:** COVER FITS A 120-114 VAULT (OPENINGSIZE = 114" X108" )

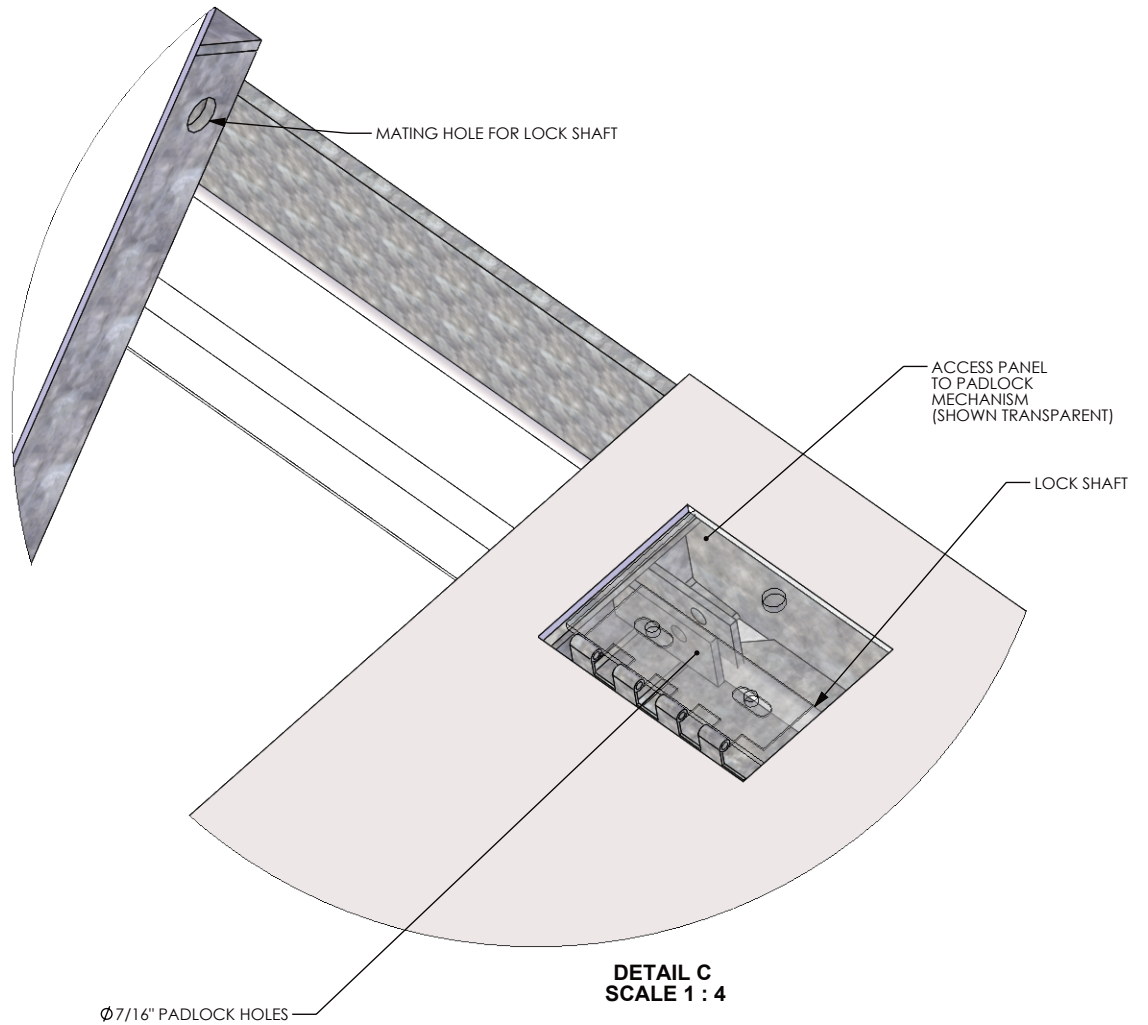
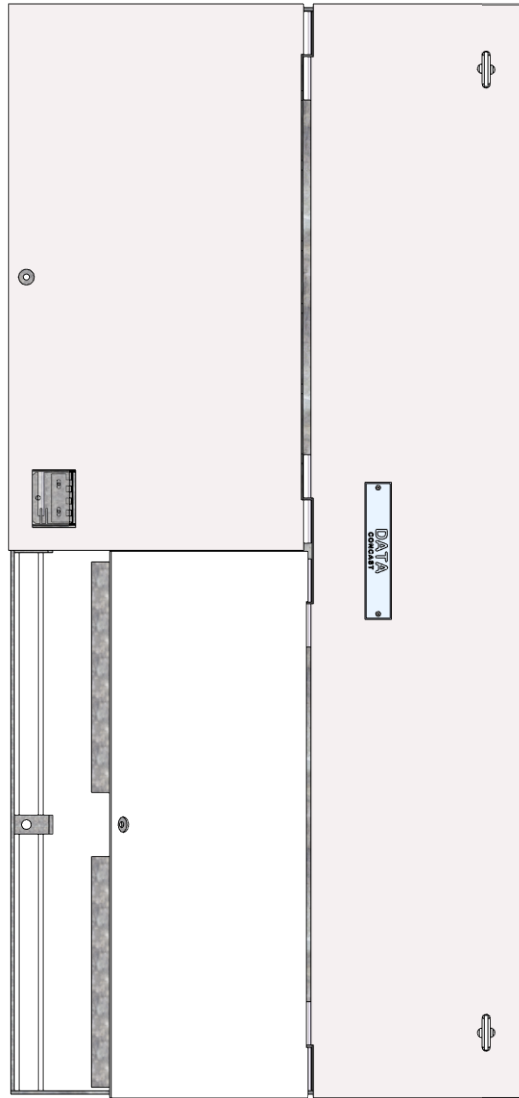
AASHTO H-20 RATED – 32,000 LB. SINGLE AXLE LOAD

DRAWN BY: <b>JESSE GUTTING</b>	
CREATED DATE: <b>10/20/2009</b>	REVISION LEVEL: <b>0</b>
SAVED DATE: <b>1/5/2023</b>	SAVED BY: <b>jgutting</b>
WEIGHT: <b>1528 LBS.</b>	MATERIAL: <b>WELDED GALV. STEEL</b>



1010 NORTH STAR DRIVE  
P.O. BOX 69  
ZUMBROTA, MN 55992-0069

DESCRIPTION: <b>VAULT COVER SPRING-ASSISTED - LOCKING</b>		SHEET 3 OF 4
DIMENSIONS ARE IN INCHES TOLERANCES: FRACTIONAL: ± 1/8" ANGULAR: ± 2°	CONTACT INFORMATION: EMAIL: <a href="mailto:INFO@CONCASTINC.COM">INFO@CONCASTINC.COM</a> PHONE: (507) 732-4095 FAX: (507) 732-4094	
PART NUMBER: <b>FCV-120-114-SA-LK</b>		



**NOTE 1:** COVER FITS A 120-114 VAULT (OPENING SIZE = 114" X108")

AASHTO H-20 RATED – 32,000 LB. SINGLE AXLE LOAD

DRAWN BY: <b>JESSE GUTTING</b>	
CREATED DATE: <b>10/20/2009</b>	REVISION LEVEL: <b>0</b>
SAVED DATE: <b>1/5/2023</b>	SAVED BY: <b>jgutting</b>
WEIGHT: <b>1528 LBS.</b>	MATERIAL: <b>WELDED GALV. STEEL</b>



**CONCAST**  
 1010 NORTH STAR DRIVE  
 P.O. BOX 69  
 ZUMBROTA, MN 55992-0069

DESCRIPTION: <b>VAULT COVER SPRING-ASSISTED - LOCKING</b>	
DIMENSIONS ARE IN INCHES TOLERANCES: FRACTIONAL: ± 1/8" ANGULAR: ± 2°	CONTACT INFORMATION: EMAIL: INFO@CONCASTINC.COM PHONE: (507) 732-4095 FAX: (507) 732-4094
PART NUMBER: <b>FCV-120-114-SA-LK.</b>	