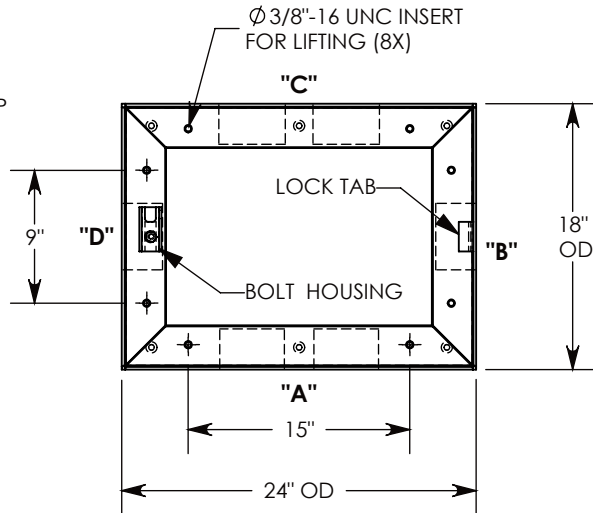
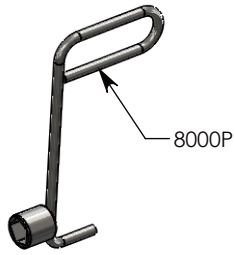


OPTIONAL PENTAHEAD SOCKET-EQUIPPED LIFTING TOOL



3/8-16 UNC X 1.5" LG PENTA HD BOLT
(P/N: PTA.38-1.5) FOR SECURING THE COVER.
BOLT HOLE IS USED FOR COVER LIFT OPERATIONS.
SEE NOTE 2

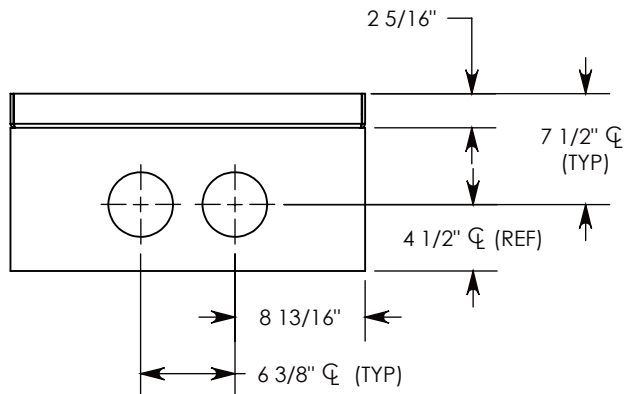
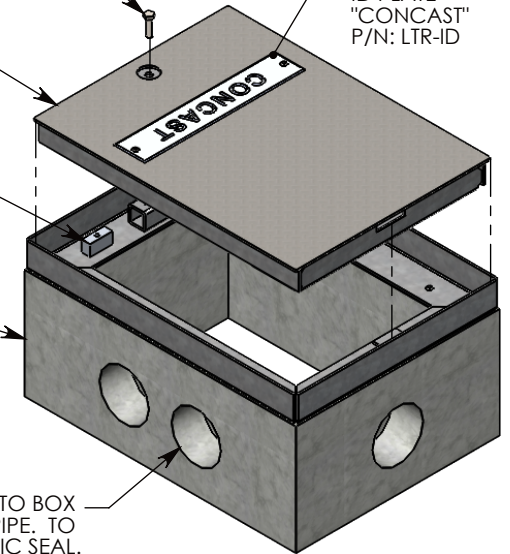
GALV. STEEL COVER
P/N: 18-24-FHR
~43 LBS.

ALUMINUM
ID PLATE
"CONCAST"
P/N: LTR-ID

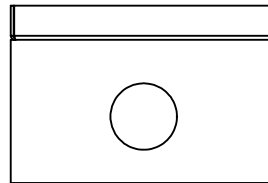
2" ALUMINUM FLOATING NUT
P/N: FLT-NUT-7

STEEL REINFORCED CONCRETE BASE
W/CAST-IN GALV. STEEL FRAME
P/N: FHR-18-24-12-R

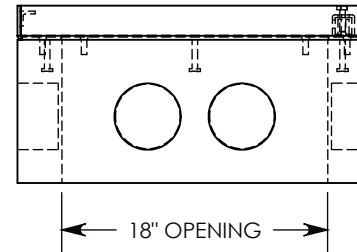
CON-DUCT TERMINATIONS ARE CAST INTO BOX
SIDEWALLS. THEY FIT UP TO 4" PVC PIPE. TO
ACCESS THE HOLES, BREAK PLASTIC SEAL.



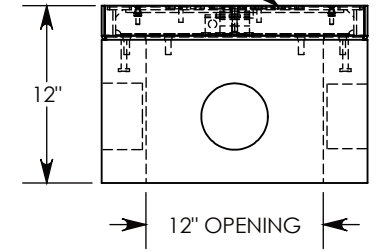
SIDE "A" (HLR)



SIDE "B" HLR



SIDE "C"



SIDE "D"

NOTE 1: FOR PVC SIZES SMALLER THAN 4", USE CONCAST RC41 (REDUCING COUPLER).

NOTE 2: FOR ADDED SECURITY, REPLACE PENTAHEAD BOLTS WITH SURELOCK BOLTS AND ORDER UNDER P/N: FHRSL-18-24-12

H2O RATED - 32,000 LB. PER AXLE LOAD.

DRAWN BY: ROBIN FLINT

DATE: 4/24/2016

REVISION LEVEL: A

WEIGHT:

215 LBS. W/COVER

MATERIAL:

NOTED



DESCRIPTION:

HEAVY TRAFFIC HANDHOLE

DIMENSIONS ARE IN INCHES
TOLERANCES:
FRACTIONAL: ± 1/8"
ANGULAR: ± 2°

CONTACT INFORMATION:
EMAIL: INFO@CONCASTINC.COM
PHONE: (507) 732-4095
FAX: (507) 732-4094

SHEET 1 OF 1

PART NUMBER:

FHR-18-24-12