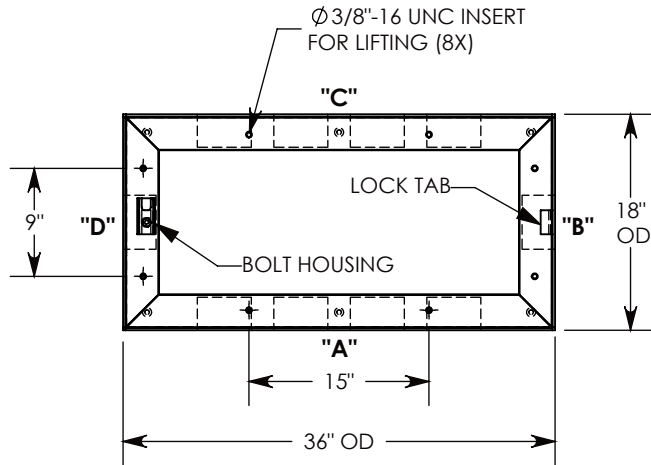
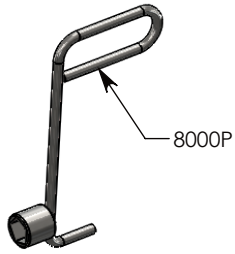


**OPTIONAL PENTAHEAD SOCKET-EQUIPPED LIFTING TOOL**



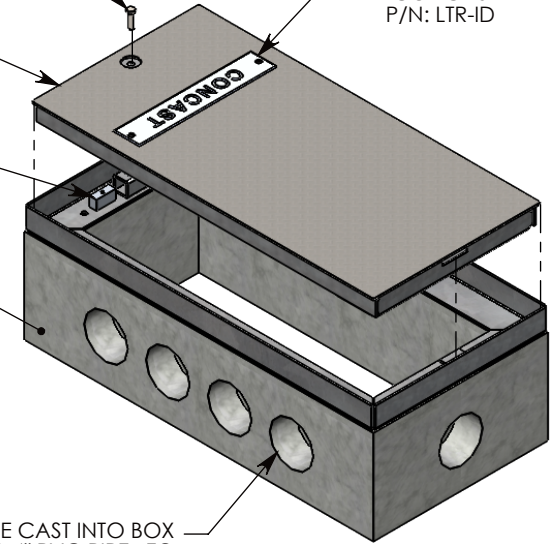
3/8-16 UNC X 1.5" LG PENTA HD BOLT  
(P/N: PTA.38-1.5) FOR SECURING THE COVER.  
BOLT HOLE IS USED FOR COVER LIFT OPERATIONS.  
SEE NOTE 2

GALV. STEEL COVER  
P/N: 18-36-FHR  
~62 LBS.

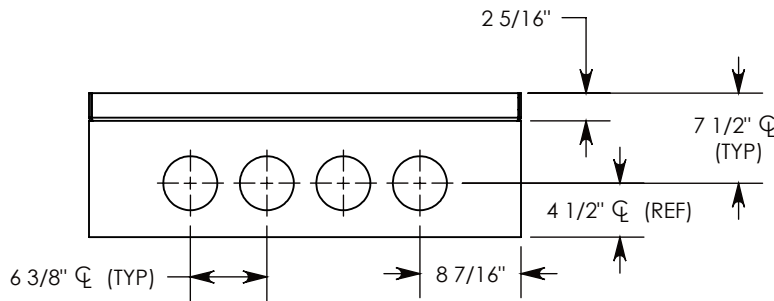
2" ALUMINUM FLOATING NUT  
P/N: FLT-NUT-7

STEEL REINFORCED CONCRETE BASE  
W/CAST-IN GALV. STEEL FRAME  
P/N: FHR-18-36-12-R

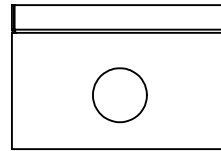
ALUMINUM  
ID PLATE  
"CONCAST"  
P/N: LTR-ID



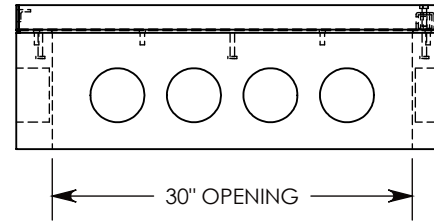
CON-DUCT TERMINATIONS ARE CAST INTO BOX  
SIDEWALLS. THEY FIT UP TO 4" PVC PIPE. TO  
ACCESS THE HOLES, BREAK PLASTIC SEAL. SEE NOTE 1.



**SIDE "A" (HLR)**

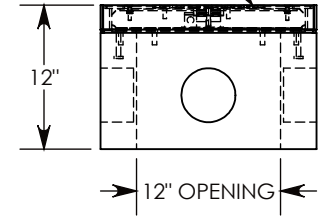


**SIDE "B" (HLR)**



**SIDE "C"**

COVER SHOWN IN THIS VIEW



**SIDE "D"**

**NOTE 1:** FOR PVC SIZES SMALLER THAN 4", USE CONCAST RC41 (REDUCING COUPLER).

**NOTE 2:** FOR ADDED SECURITY, REPLACE PENTAHEAD BOLTS WITH SURELOCK BOLTS AND ORDER UNDER P/N: FHRSL-18-36-12

H20 RATED - 32,000 LB. PER AXLE LOAD.

**DRAWN BY: ROBIN FLINT**

**DATE: 4/24/2016**

**REVISION LEVEL: A**

**WEIGHT:**

**283 LBS. W/COVER**

**MATERIAL:**

**NOTED**



**DESCRIPTION:**

**HEAVY TRAFFIC HANDHOLE**

DIMENSIONS ARE IN INCHES  
TOLERANCES:  
FRACTIONAL: ± 1/8"  
ANGULAR: ± 2°

CONTACT INFORMATION:  
EMAIL: INFO@CONCASTINC.COM  
PHONE: (507) 732-4095  
FAX: (507) 732-4094

SHEET 1 OF 1

**PART NUMBER:**

**FHR-18-36-12**