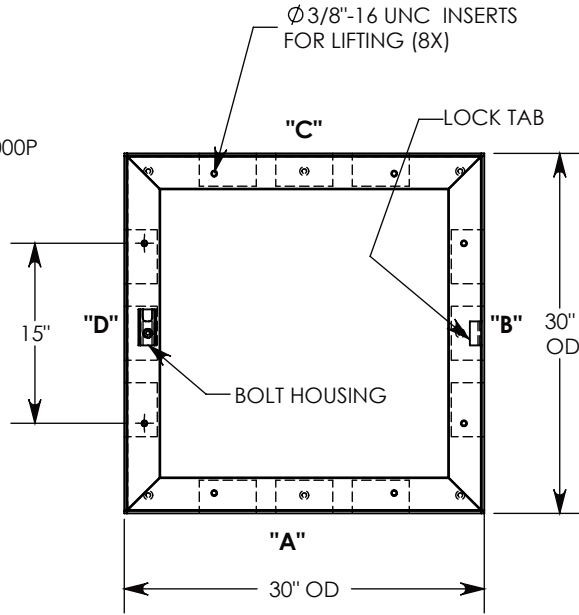
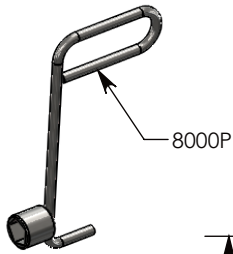


OPTIONAL PENTAHEAD SOCKET-EQUIPPED LIFTING TOOL



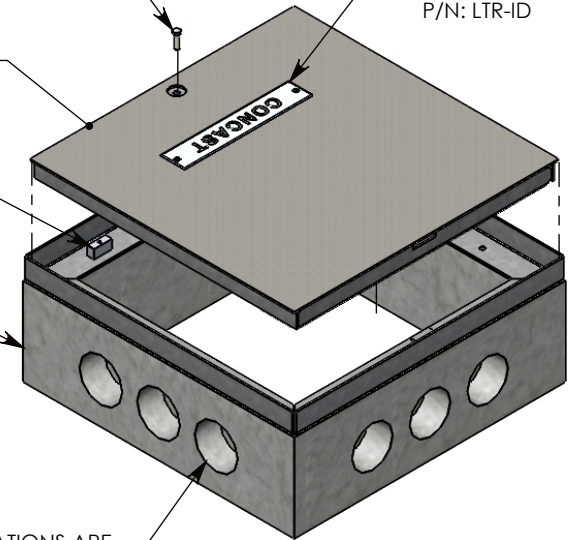
3/8-16 UNC X 1.5" LG PENTA HD BOLT
(P/N: PTA.38-1.5) FOR SECURING THE COVER.
BOLT HOLE IS USED FOR COVER LIFT OPERATIONS.
SEE NOTE 2.

ALUMINUM ID PLATE
"CONCAST"
P/N: LTR-ID

GALV. STEEL COVER
P/N: 30-30-FHR
~92 LBS

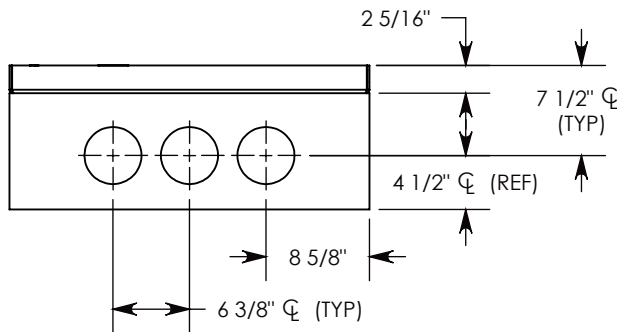
2" ALUMINUM FLOATING NUT
P/N: FLT-NUT-7

STEEL REINFORCED CONCRETE BASE
W/CAST-IN GALV. STEEL FRAME
P/N: FHR-30-30-12-R

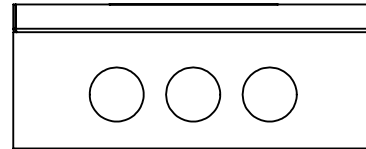


CON-DUCT TERMINATIONS ARE
CAST INTO BOX SIDEWALLS AND
FIT UP TO 4" PVC PIPE. TO ACCESS THE
HOLES, BREAK PLASTIC SEAL.

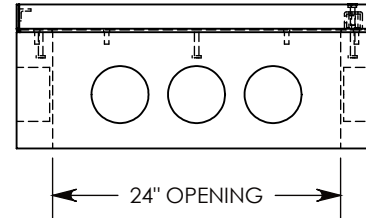
COVER SHOWN IN THIS VIEW



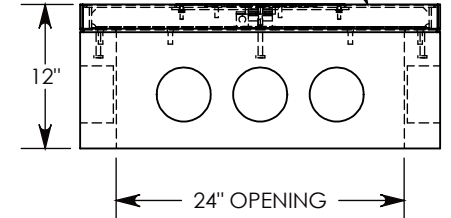
SIDE "A" (HLR)



SIDE "B" (HLR)



SIDE "C"



SIDE "D"

NOTE 1: FOR PVC SIZES SMALLER THAN 4", USE CONCAST RC41 (REDUCING COUPLER).

NOTE 2: FOR ADDED SECURITY, REPLACE PENTAHEAD BOLTS WITH SURELOCK BOLTS AND ORDER UNDER P/N: FHRSL-30-30-12

H20 RATED - 32,000 LB. PER AXLE LOAD.

DRAWN BY: ROBIN FLINT	
DATE: 4/23/2016	REVISION LEVEL: A
WEIGHT: 334 LBS. W/COVER	MATERIAL: NOTED

1010 NORTH STAR DRIVE
P.O. BOX 69
ZUMBROTA, MN 55992-0069

DESCRIPTION:		
HEAVY TRAFFIC HANDHOLE		
DIMENSIONS ARE IN INCHES TOLERANCES: FRACTIONAL: ± 1/8" ANGULAR: ± 2°	CONTACT INFORMATION: EMAIL: INFO@CONCASTINC.COM PHONE: (507) 732-4095 FAX: (507) 732-4094	SHEET 1 OF 1
PART NUMBER:		
FHR-30-30-12		