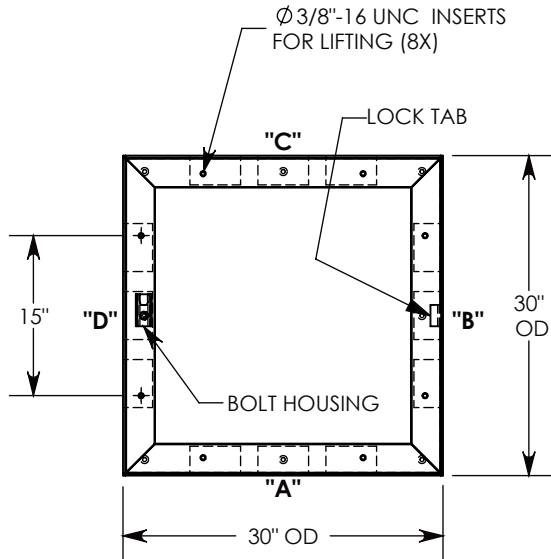
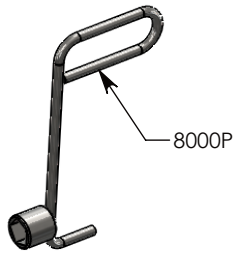


**OPTIONAL PENTAHEAD SOCKET-EQUIPPED LIFTING TOOL**



3/8-16 UNC X 1.5" LG PENTA HD BOLT  
(P/N: PTA.38-1.5) FOR SECURING THE COVER.  
BOLT HOLE IS USED FOR COVER LIFT OPERATIONS.  
SEE NOTE 2.

GALV. STEEL COVER  
P/N: 30-30-FHR  
~91 LBS

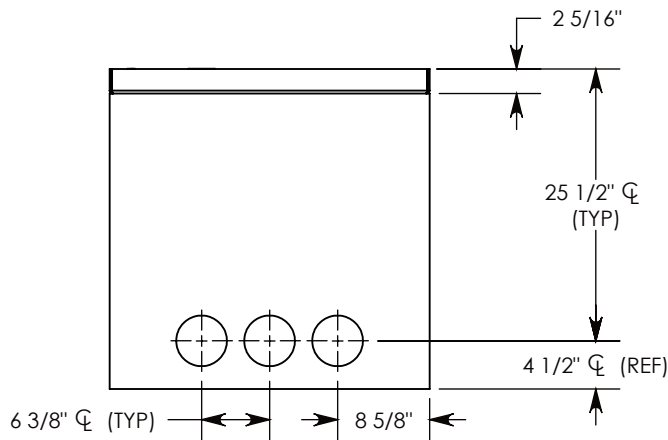
ALUMINUM  
ID PLATE  
"CONCAST"  
P/N: LTR-ID

2" ALUMINUM FLOATING NUT  
P/N: FLT-NUT-7

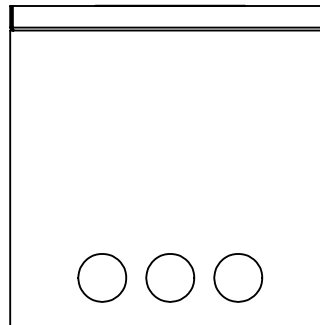
STEEL REINFORCED CONCRETE BASE  
W/CAST-IN GALV. STEEL FRAME  
P/N: FHR-30-30-30-R

CON-DUCT TERMINATIONS ARE CAST INTO BOX  
SIDEWALLS. THEY FIT UP TO 4" PVC PIPE. TO  
ACCESS THE HOLES, BREAK PLASTIC SEAL. SEE NOTE 1.

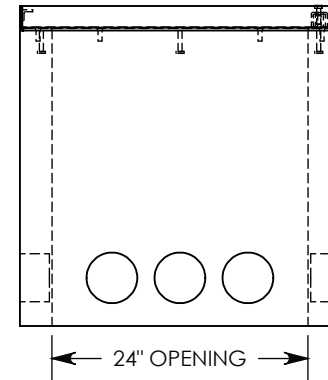
COVER SHOWN IN THIS VIEW



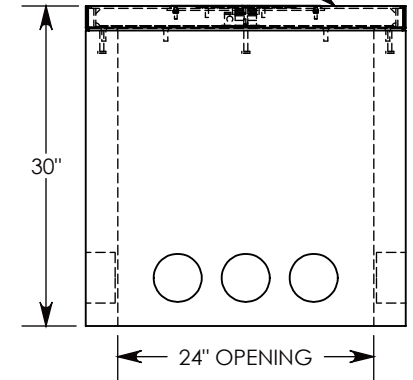
**SIDE "A" (HLR)**



**SIDE "B" (HLR)**



**SIDE "C"**



**SIDE "D"**

**NOTE 1:** FOR PVC SIZES SMALLER THAN 4", USE CONCAST RC41 (REDUCING COUPLER).

**NOTE 2:** FOR ADDED SECURITY, REPLACE PENTAHEAD BOLTS WITH SURELOCK BOLTS AND ORDER UNDER P/N: FHRSL-30-30-30

H2O RATED - 32,000 LB. PER AXLE LOAD.

**DRAWN BY: ROBIN FLINT**

**DATE: 4/23/2016**

**REVISION LEVEL: A**

**WEIGHT:**

**812 LBS. W/COVER**

**MATERIAL:**

**NOTED**



1010 NORTH STAR DRIVE  
P.O. BOX 69  
ZUMBROTA, MN 55992-0069

**DESCRIPTION:**

**HEAVY TRAFFIC HANDHOLE**

DIMENSIONS ARE IN INCHES  
TOLERANCES:  
FRACTIONAL: ± 1/8"  
ANGULAR: ± 2°

CONTACT INFORMATION:  
EMAIL: INFO@CONCASTINC.COM  
PHONE: (507) 732-4095  
FAX: (507) 732-4094

SHEET 1 OF 1

**PART NUMBER:**

**FHR-30-30-30**