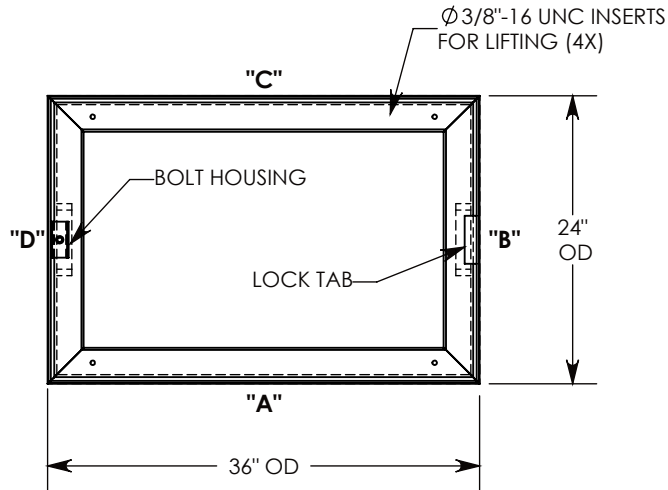


PART NUMBER	"XX" OVERALL HEIGHT	"X" AMOUNT OF EXTENSION	WEIGHT (POUNDS)
FHREX-24-36-12	12"	9.5"	244
FHREX-24-36-18	18"	15.5	386
FHREX-24-36-24	24"	21.5	528
FHREX-24-36-30	30"	27.5	669
FHREX-24-36-36	36"	33.5	811

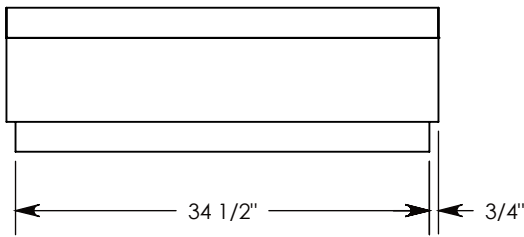
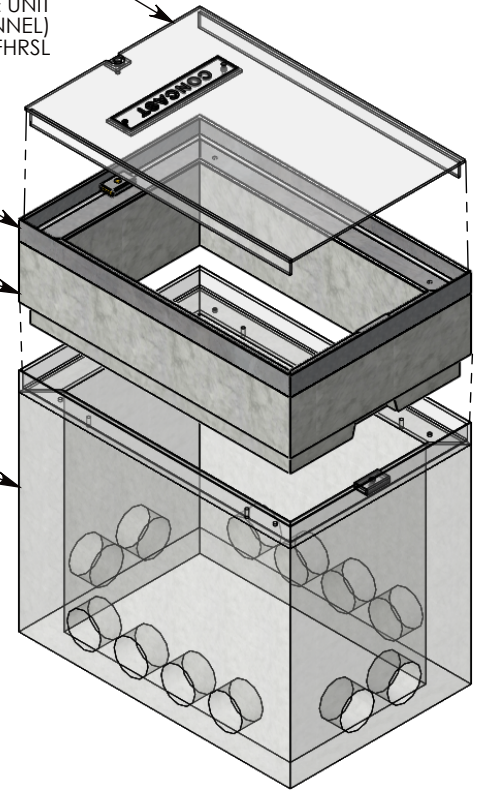


GALVANIZED STEEL COVER IS PURCHASED SEPARATELY WITH THE FHR BASE UNIT (TRANSPARENT W/OUT CHANNEL) P/N: 24-36-FHR OR 24-36-FHRSL

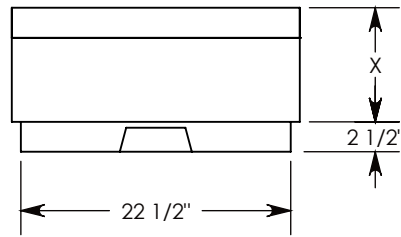
GALVANIZED STEEL FHR FRAME

STEEL REINFORCED CONCRETE

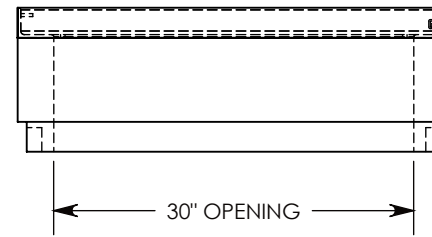
FHR(SLP) BASE UNIT (TRANSPARENT) IS PURCHASED SEPARATELY WITH THE STEEL COVER P/N: FHR-24-36-XX OR FHRSLP-24-36-XX



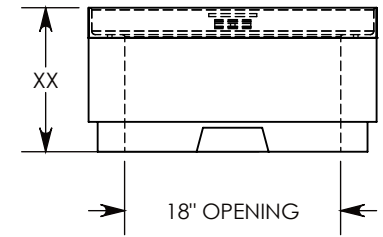
SIDE "A" (HLR)



SIDE "B" (HLR)



SIDE "C"



SIDE "D"

H20 RATED - 32,000 LB. PER AXLE LOAD.

**DRAWN BY:** ROBIN FLINT

**DATE:** 4/10/2013

**REVISION LEVEL:** 0

**WEIGHT:**

**NOTED**

**MATERIAL:**

**NOTED**



**DESCRIPTION:**

**HEAVY TRAFFIC HANDHOLE EXTENSION**

DIMENSIONS ARE IN INCHES  
TOLERANCES:  
FRACTIONAL: ± 1/8"  
ANGULAR: ± 2°

CONTACT INFORMATION:  
EMAIL: INFO@CONCASTINC.COM  
PHONE: (507) 732-4095  
FAX: (507) 732-4094

SHEET 1 OF 1

**PART NUMBER:**

**FHREX-24-36-XX**