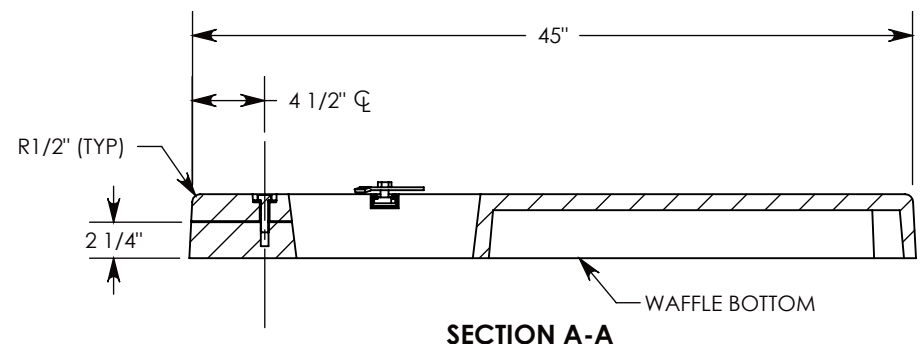
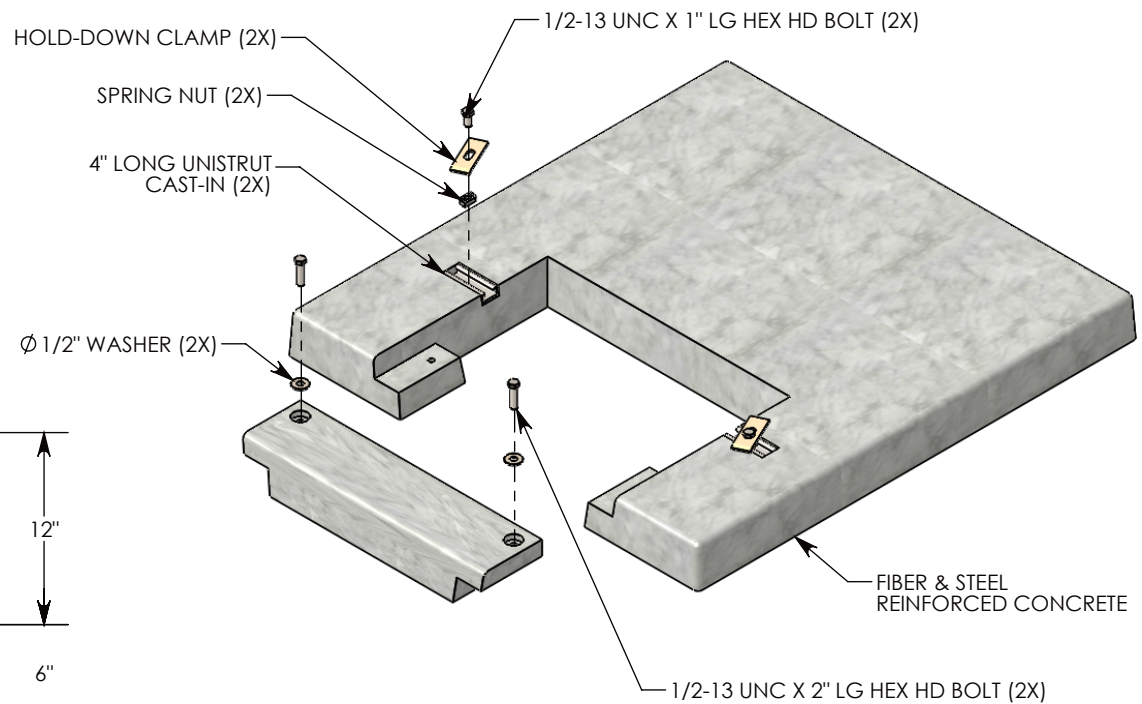
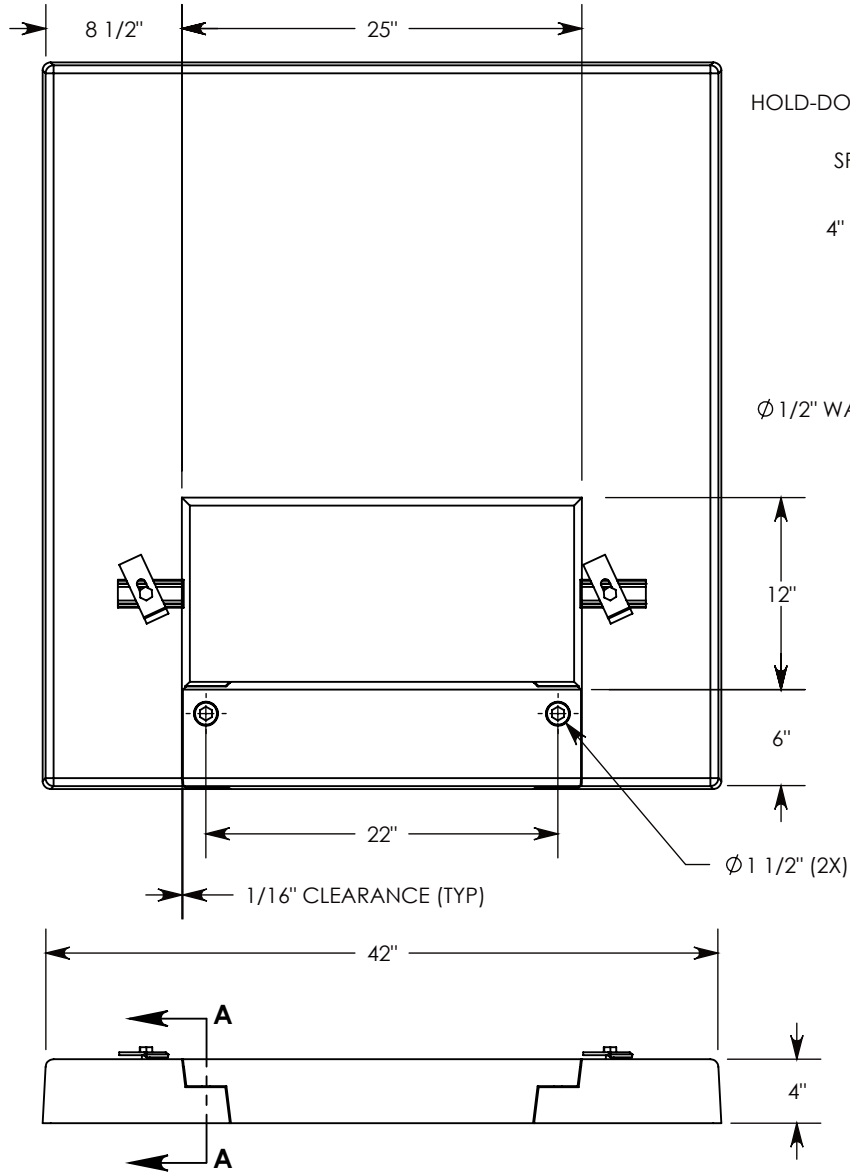


FIBERCRETE[®]



6,000 PSI CONCRETE
 ALL VERTICAL SURFACES HAVE A 5 TO 7 DEGREE DRAFT.
 IF SPECIFIC INSERTS OR MOUNTING HARDWARE ARE REQUIRED, PLEASE SPECIFY WHEN ORDERING.

DRAWN BY: ROBIN FLINT	
DATE: 7/7/2014	REVISION LEVEL: 0
WEIGHT: 267 LBS.	MATERIAL: CAST FIBERCRETE



CONCAST
 1010 NORTH STAR DRIVE
 P.O. BOX 69
 ZUMBROTA, MN 55992-0069

DESCRIPTION: FIBERCRETE FLAT PAD - SPLIT		
DIMENSIONS ARE IN INCHES TOLERANCES: FRACTIONAL: ± 1/8" ANGULAR: ± 2°	CONTACT INFORMATION: EMAIL: INFO@CONCASTINC.COM PHONE: (507) 732-4095 FAX: (507) 732-4094	SHEET 1 OF 1
PART NUMBER: FP-42-45-4-2512 (6)-SPL		