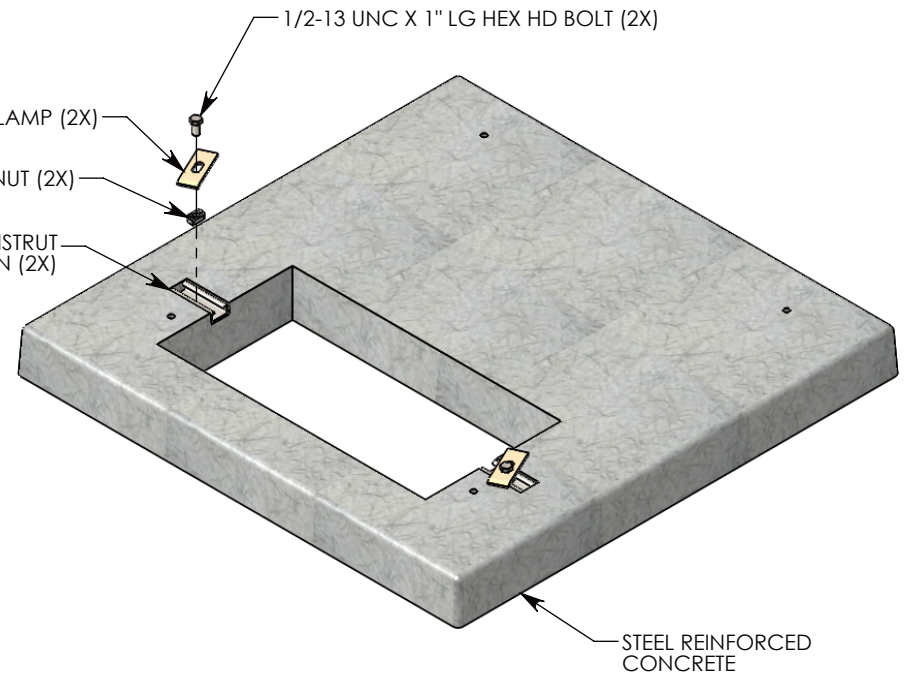


Ø 1/2"-13 UNC INSERTS FOR LIFTING (4X)  
LOCATIONS MAY VARY



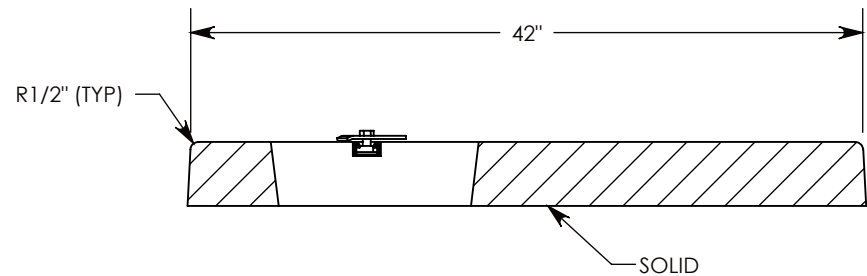
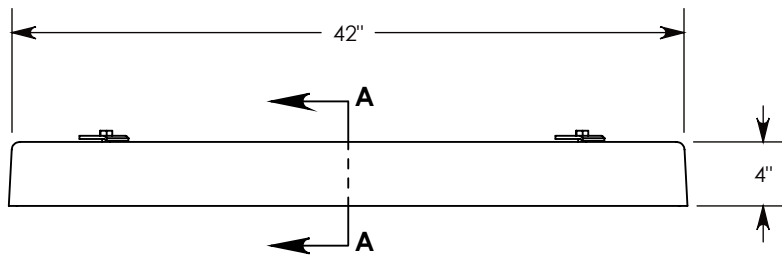
HOLD-DOWN CLAMP (2X)

SPRING NUT (2X)

4" LONG UNISTRUT CAST-IN (2X)

1/2-13 UNC X 1" LG HEX HD BOLT (2X)

STEEL REINFORCED CONCRETE



SECTION A-A

7,500 PSI CONCRETE  
ALL VERTICAL SURFACES HAVE A 5 TO 7 DEGREE DRAFT.  
IF SPECIFIC INSERTS OR MOUNTING HARDWARE ARE REQUIRED, PLEASE SPECIFY WHEN ORDERING.

**DRAWN BY: ROBIN FLINT**

**DATE: 7/7/2014**

**REVISION LEVEL: 0**

**WEIGHT:**

**480 LBS.**

**MATERIAL:**

**CONCRETE**



1010 NORTH STAR DRIVE  
P.O. BOX 69  
ZUMBROTA, MN 55992-0069

**DESCRIPTION:**

**CONCRETE FLAT PAD**

DIMENSIONS ARE IN INCHES  
TOLERANCES:  
FRACTIONAL: ± 1/8"  
ANGULAR: ± 2°

CONTACT INFORMATION:  
EMAIL: INFO@CONCASTINC.COM  
PHONE: (507) 732-4095  
FAX: (507) 732-4094

SHEET 1 OF 1

**PART NUMBER:**

**FPS-42-42-4-1326 (5)**