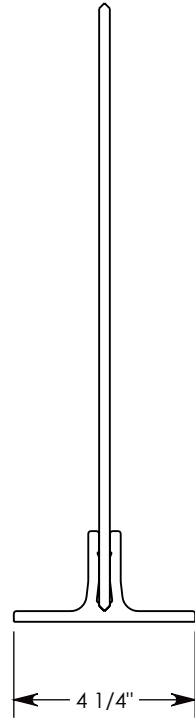
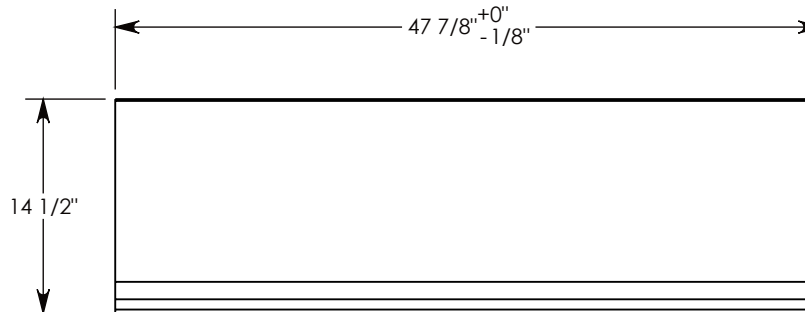
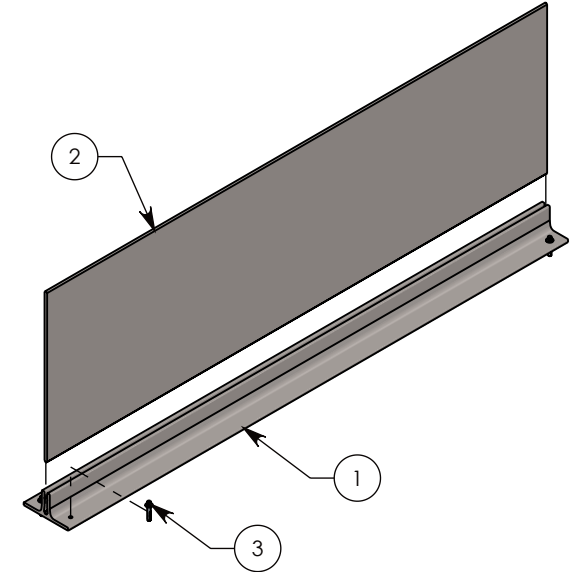
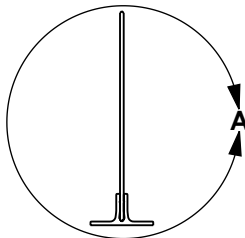


REV. A - SIC - 3/6/2024 - UPDATED NOTE 1; ADDED NOTES 2 AND 3; ADDED DETAIL PAGE 2
 REV. B - SIC - 5/21/2024 - UPDATED FRP4P14.25 DESIGN; REMOVED INTERLOCK NOTE FROM DETAIL A VIEW
 REV. C - JCG - 7/2/2024 - ADDED ADHESIVE TO BOM, ADDED ADDITIONAL TOLERANCE TO LENGTH

ITEM NO.	PART NUMBER	DESCRIPTION	QTY.
1	FRP4B	FRP DIVIDER BASE	1
2	FRP4P14.25	DIVIDER PANEL	1
3	APB25-1.25	ANCHOR PIN BOLT	4
4	FRP-ADHSV	POLYURETHANE ADHESIVE (TUBE)	.1



DETAIL A
SCALE 2 : 9



NOTE 1: FRP4B IS DRILLED AND INSTALLED IN CHANNEL USING APB-1.25. DO NOT CROSS CHANNEL JOINTS WHEN INSTALLING
NOTE 2: CUT FRP4B AND PANEL TO LENGTH AS NEEDED TO MATCH CHANNEL IN WHICH IT IS INSTALLED
NOTE 3: IN-CHANNEL REFERENCE SECTION SHOWN ON PAGE 2

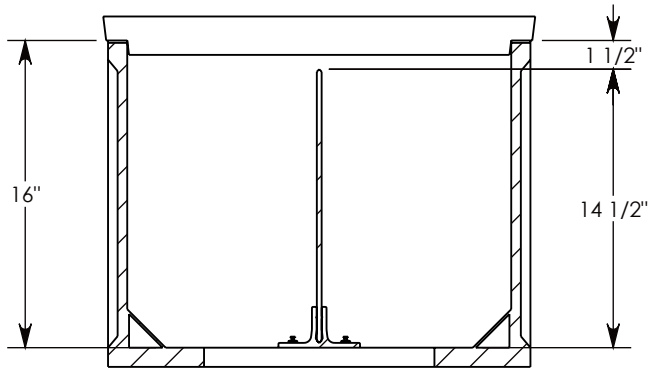
DRAWN BY: JESSE GUTTING	
CREATED DATE: 2/12/2024	REVISION LEVEL: C
SAVED DATE: 7/2/2024	SAVED BY: jgutting
WEIGHT: 17 LBS.	MATERIAL: FRP



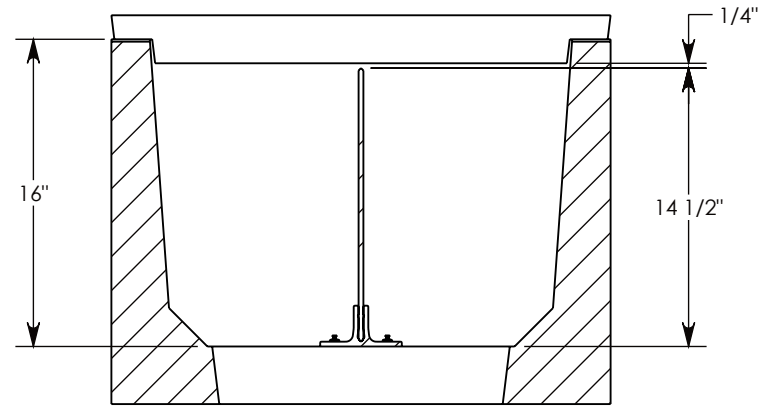
1010 NORTH STAR DRIVE
 P.O. BOX 69
 ZUMBROTA, MN 55992-0069

DESCRIPTION: FRP DIVIDER ASSEMBLY		SHEET 1 OF 2
DIMENSIONS ARE IN INCHES TOLERANCES: FRACTIONAL: $\pm 1/8"$ ANGULAR: $\pm 2^\circ$	CONTACT INFORMATION: EMAIL: INFO@CONCASTINC.COM PHONE: (507) 732-4095 FAX: (507) 732-4094	
PART NUMBER: FRP4D14.5		

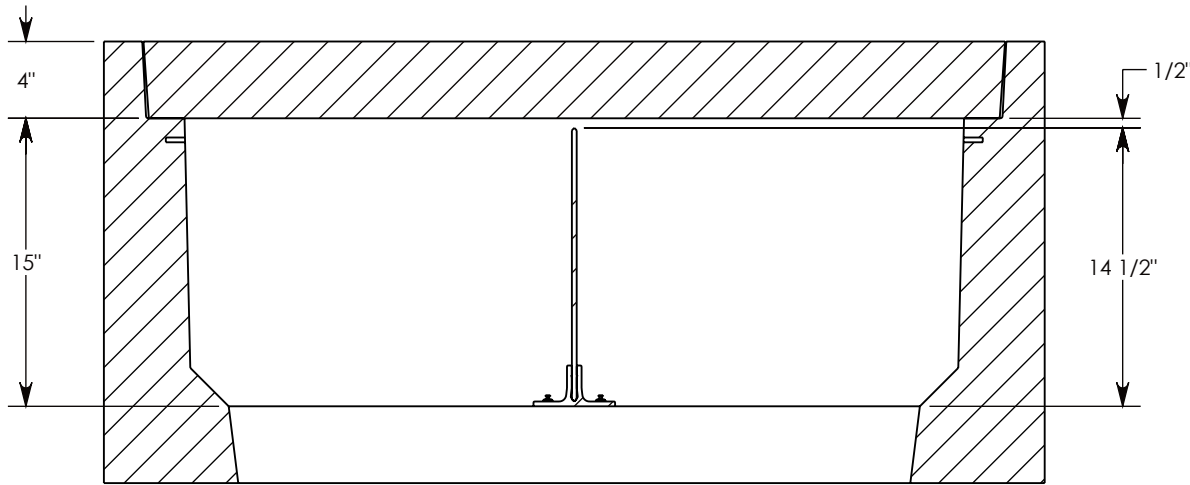
REV. A - SIC - 3/6/2024 - UPDATED NOTE 1; ADDED NOTES 2 AND 3; ADDED DETAIL PAGE 2
 REV. B - SIC - 5/21/2024 - UPDATED FRP4P14.25 DESIGN; REMOVED INTERLOCK NOTE FROM DETAIL A VIEW
 REV. C - JCG - 7/2/2024 - ADDED ADHESIVE TO BOM, ADDED ADDITIONAL TOLERANCE TO LENGTH



**16" DEEP PED
 CHANNEL WIDTH AND
 COVER THICKNESS MAY VARY**



**16" DEEP PT
 CHANNEL WIDTH AND
 COVER THICKNESS MAY VARY**



15" DEEP HT4

DRAWN BY: **JESSE GUTTING**

CREATED DATE: **2/12/2024** REVISION LEVEL: **C**

SAVED DATE: **7/2/2024** SAVED BY: **jgutting**

WEIGHT: **~ LBS.** MATERIAL: **NOTED**



1010 NORTH STAR DRIVE
 P.O. BOX 69
 ZUMBROTA, MN 55992-0069

DESCRIPTION:

IN-CHANNEL REFERENCE FOR DIVIDERS

DIMENSIONS ARE IN INCHES
 TOLERANCES:
 FRACTIONAL: $\pm 1/8"$
 ANGULAR: $\pm 2^\circ$

CONTACT INFORMATION:
 EMAIL: INFO@CONCASTINC.COM
 PHONE: (507) 732-4095
 FAX: (507) 732-4094

SHEET 2 OF 2

PART NUMBER:
REFERENCE