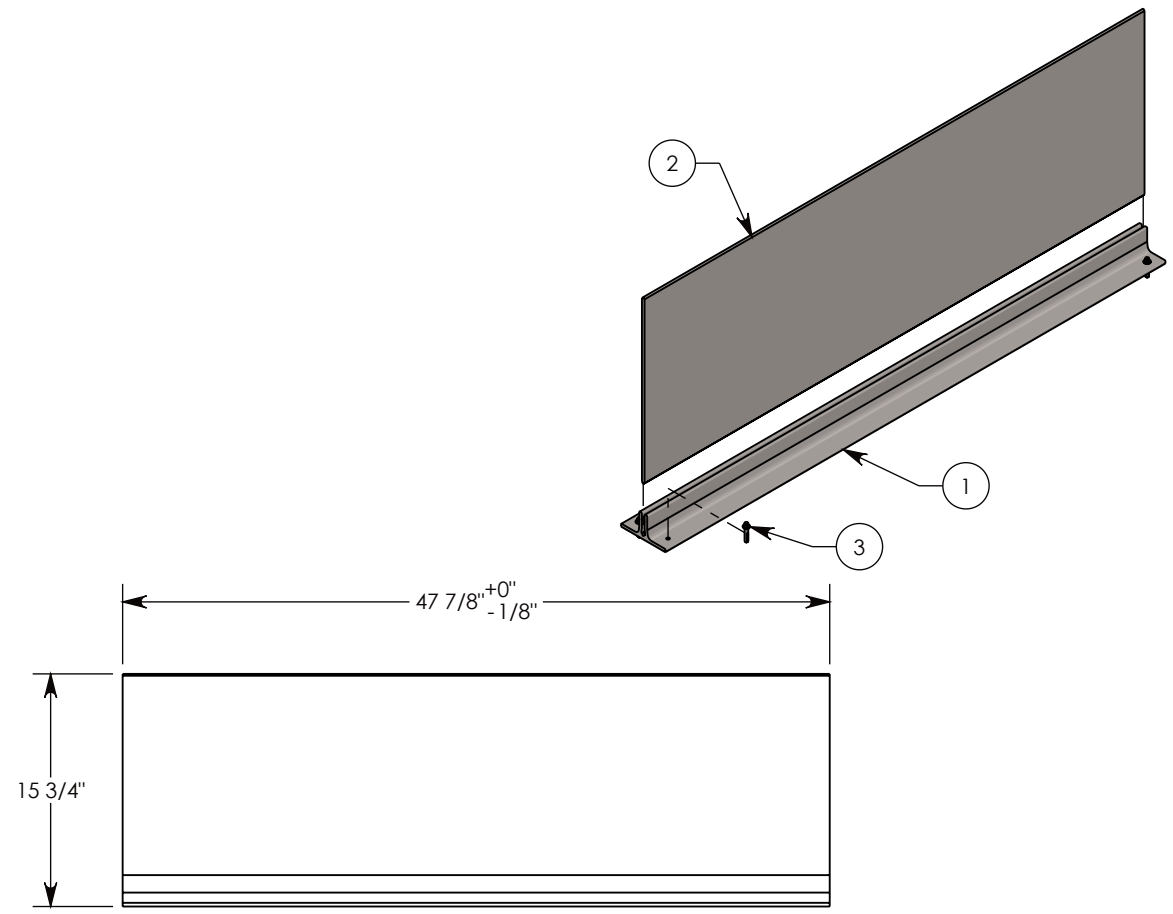
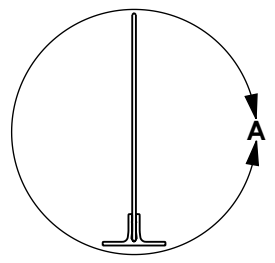
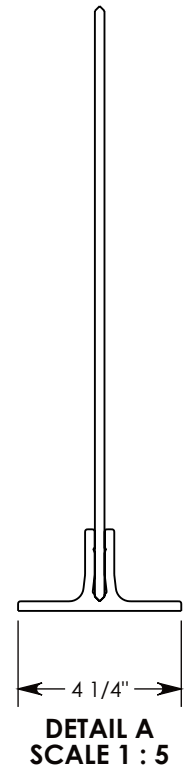


REV. A - SIC - 3/6/2024 - UPDATED NOTE 1; ADDED NOTES 2 AND 3; ADDED DETAIL PAGE 2  
 REV. B - SIC - 5/21/2024 - UPDATED FRP4P15.5 DESIGN; REMOVED INTERLOCK NOTE FROM DETAIL A VIEW  
 REV. C - JCG - 7/2/2024 - ADDED ADHESIVE TO BOM, ADDED ADDITIONAL TOLERANCE TO LENGTH

ITEM NO.	PART NUMBER	DESCRIPTION	QTY.
1	FRP4B	FRP DIVIDER BASE	1
2	FRP4P15.5	DIVIDER PANEL	1
3	APB25-1.25	ANCHOR PIN BOLT	4
4	FRP-ADHSV	POLYURETHANE ADHESIVE (TUBE)	.1



**NOTE 1:** FRP4B IS DRILLED AND INSTALLED IN CHANNEL USING APB-1.25. DO NOT CROSS CHANNEL JOINTS WHEN INSTALLING  
**NOTE 2:** CUT FRP4B AND PANEL TO LENGTH AS NEEDED TO MATCH CHANNEL IN WHICH IT IS INSTALLED  
**NOTE 3:** IN-CHANNEL REFERENCE SECTION SHOWN ON PAGE 2

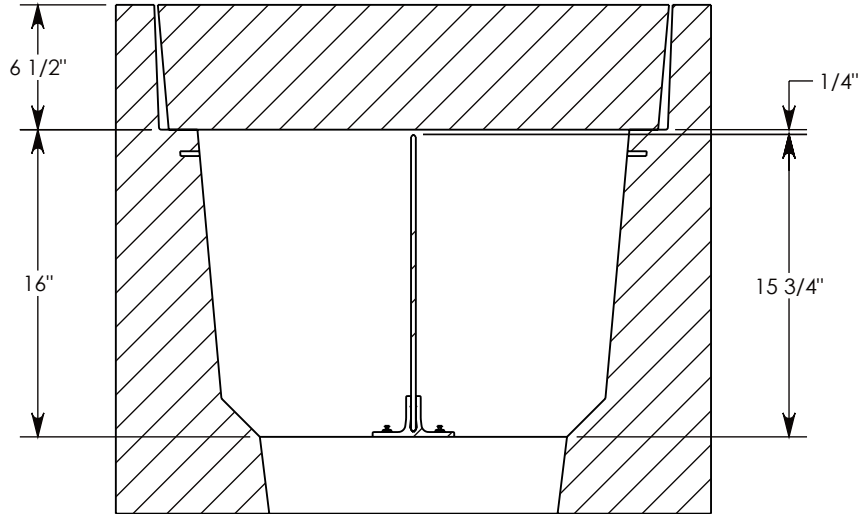
DRAWN BY: <b>JESSE GUTTING</b>	
CREATED DATE: <b>2/12/2024</b>	REVISION LEVEL: <b>C</b>
SAVED DATE: <b>7/2/2024</b>	SAVED BY: <b>jgutting</b>
WEIGHT: <b>18 LBS.</b>	MATERIAL: <b>FRP</b>



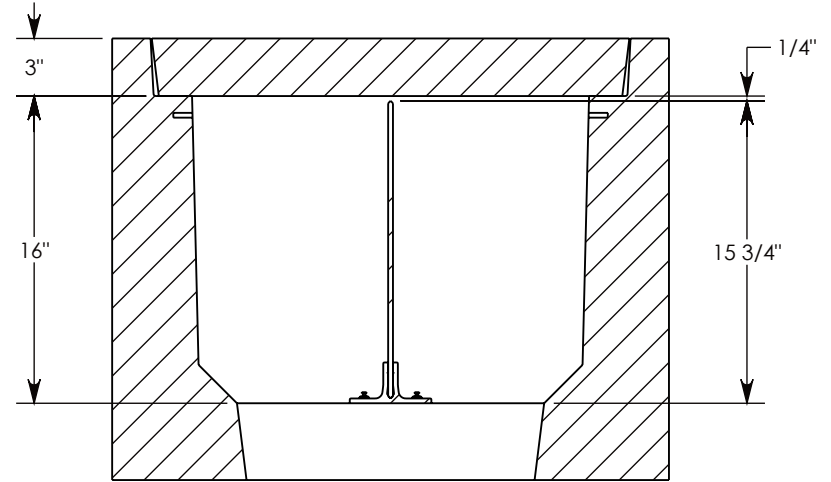
**CONCAST**  
 1010 NORTH STAR DRIVE  
 P.O. BOX 69  
 ZUMBROTA, MN 55992-0069

DESCRIPTION: <b>FRP DIVIDER ASSEMBLY</b>		SHEET 1 OF 2
DIMENSIONS ARE IN INCHES TOLERANCES: FRACTIONAL: ± 1/8" ANGULAR: ± 2°	CONTACT INFORMATION: EMAIL: INFO@CONCASTINC.COM PHONE: (507) 732-4095 FAX: (507) 732-4094	
PART NUMBER: <b>FRP4D15.75</b>		

REV. A - SIC - 3/6/2024 - UPDATED NOTE 1; ADDED NOTES 2 AND 3; ADDED DETAIL PAGE 2  
 REV. B - SIC - 5/21/2024 - UPDATED FRP4P15.5 DESIGN; REMOVED INTERLOCK NOTE FROM DETAIL A VIEW  
 REV. C - JCG - 7/2/2024 - ADDED ADHESIVE TO BOM, ADDED ADDITIONAL TOLERANCE TO LENGTH



**16" DEEP HT  
 CHANNEL WIDTH MAY VARY**



**16" DEEP LT/HT3  
 CHANNEL WIDTH MAY VARY**

DRAWN BY: **JESSE GUTTING**

CREATED DATE: **2/12/2024** REVISION LEVEL: **C**

SAVED DATE: **7/2/2024** SAVED BY: **jgutting**

WEIGHT: **~ LBS.** MATERIAL: **NOTED**



1010 NORTH STAR DRIVE  
 P.O. BOX 69  
 ZUMBROTA, MN 55992-0069

DESCRIPTION:

**IN-CHANNEL REFERENCE FOR DIVIDERS**

DIMENSIONS ARE IN INCHES  
 TOLERANCES:  
 FRACTIONAL:  $\pm 1/8"$   
 ANGULAR:  $\pm 2^\circ$

CONTACT INFORMATION:  
 EMAIL: [INFO@CONCASTINC.COM](mailto:INFO@CONCASTINC.COM)  
 PHONE: (507) 732-4095  
 FAX: (507) 732-4094

SHEET 2 OF 2

PART NUMBER:

**REFERENCE**