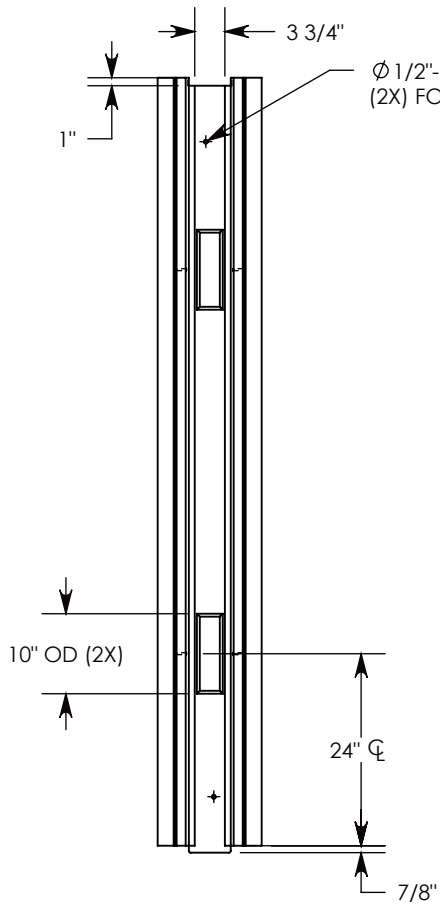
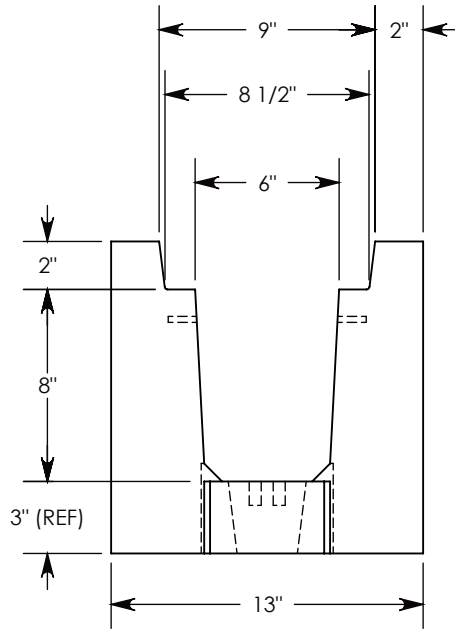


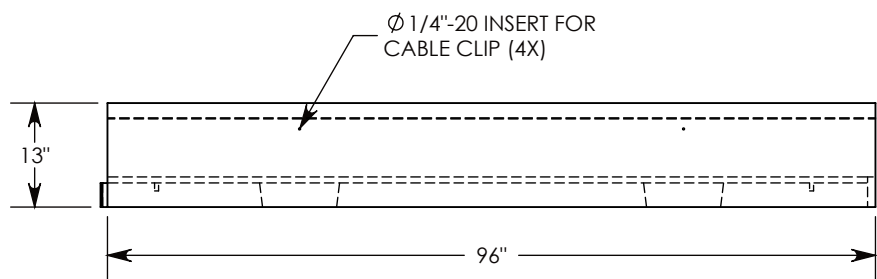
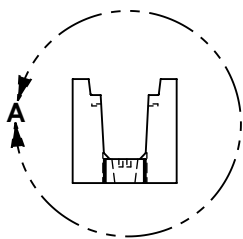
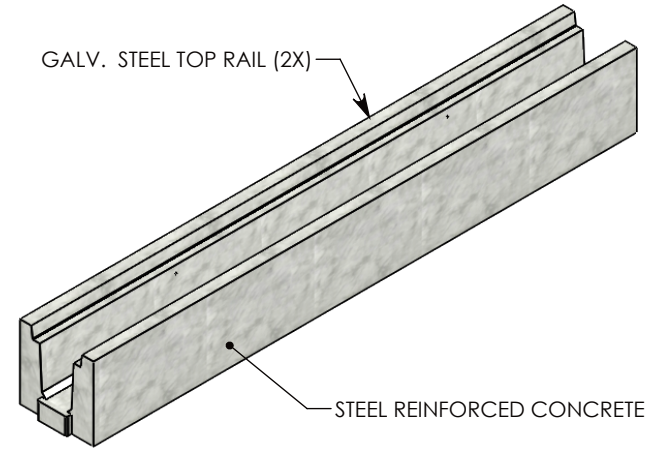
FIBERCRETE[®]
TRENCH
SYSTEM



Ø 1/2"-13 UNC INSERTS
 (2X) FOR LIFTING



DETAIL A
SCALE 1 : 8



NOTE 1: ALL NON-STANDARD LENGTHS OF CHANNEL WILL BE SOLID BOTTOM AND DESIGNATED WITH ITS CORRESPONDING LENGTH MEASUREMENT. IE: HT0608 32"
NOTE 2: MM#30032903

MAX H-40 RATED - 64,000 LB. PER AXLE LOAD.
 DEPENDENT ON TRENCH COVER RATING

DRAWN BY: ROBIN FLINT	
DATE: 8/25/2016	REVISION LEVEL: A
WEIGHT: 830 LBS.	MATERIAL: CONCRETE

CONCAST
 1010 NORTH STAR DRIVE
 P.O. BOX 69
 ZUMBROTA, MN 55992-0069

DESCRIPTION: HEAVY TRAFFIC CHANNEL		
DIMENSIONS ARE IN INCHES TOLERANCES: FRACTIONAL: ± 1/8" ANGULAR: ± 2°	CONTACT INFORMATION: EMAIL: INFO@CONCASTINC.COM PHONE: (507) 732-4095 FAX: (507) 732-4094	SHEET 1 OF 1
PART NUMBER: HT0608		