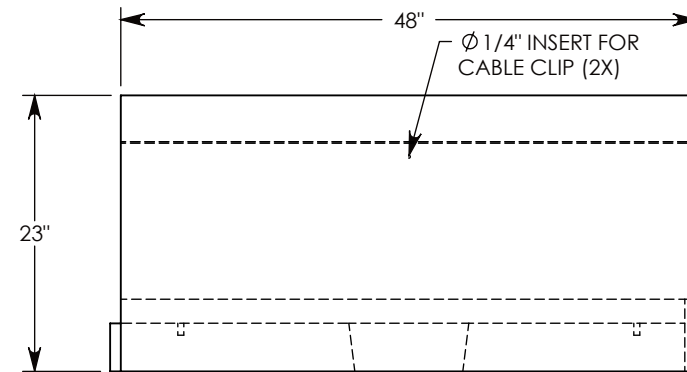
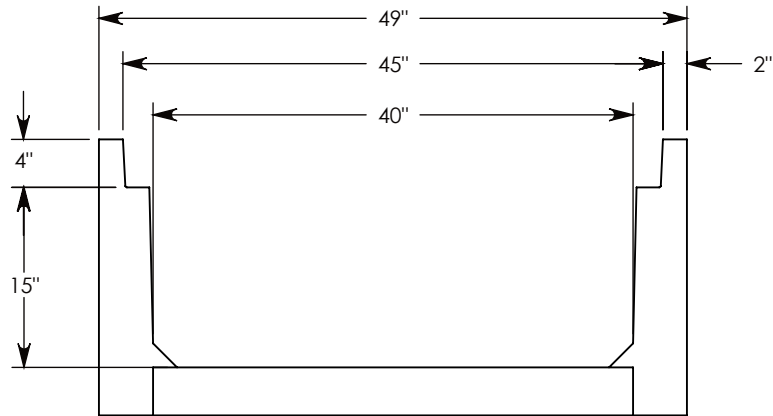
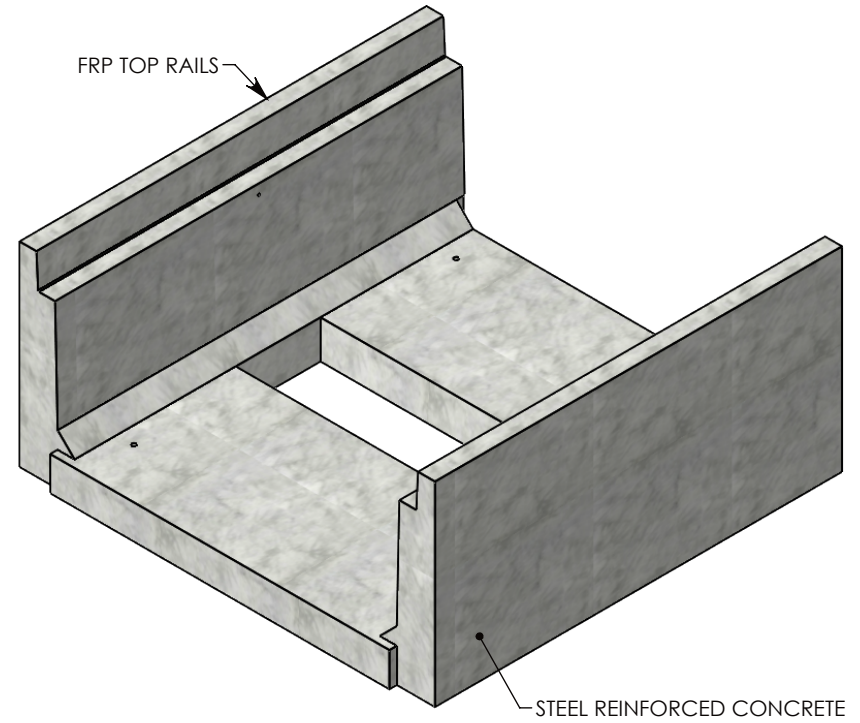
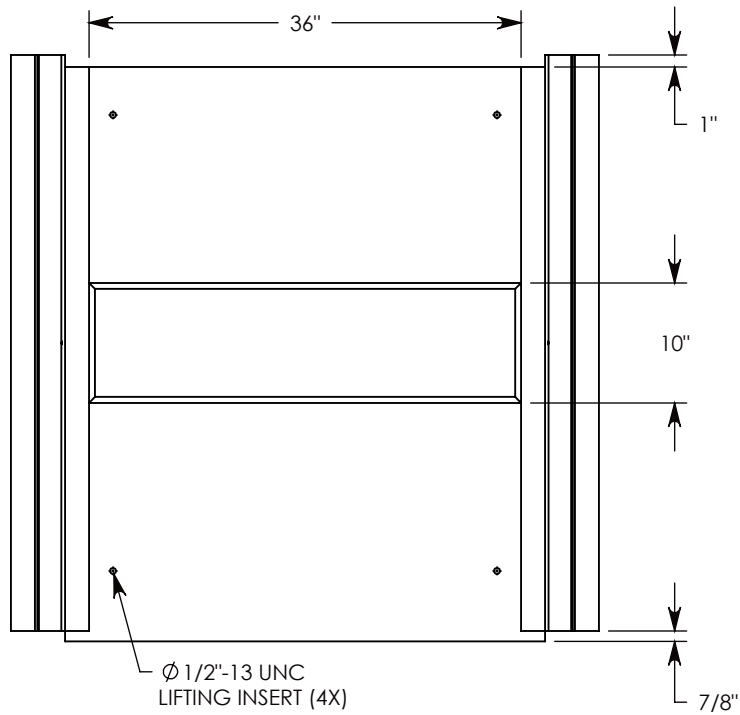


REV. A - SIC - 8/14/2019 - UPDATED NOTES

REV. B - SIC - 7/17/2020 - UPDATED WEIGHT RATING NOTE; ADDED SOIL BEARING PRESSURES



NOTE 1: FOR NON-STANDARD LENGTHS THE CHANNEL WILL BE SOLID BOTTOM AND DESIGNATED WITH ITS CORRESPONDING LENGTH MEASUREMENT. IE: HT4F4016 32"

MAX AASHTO H-40 RATED - 64,000 LB. SINGLE AXLE LOAD
DEPENDENT ON TRENCH COVER RATING
MINIMUM ALLOWABLE SOIL BEARING PRESSURE - H-40: 3,000 PSF; H-20: 3,000 PSF

DRAWN BY: TOM JANSEN	
CREATED DATE: 3/21/2011	REVISION LEVEL: B
SAVED DATE: 7/17/2020	SAVED BY: scallahan
WEIGHT: 1255 LBS.	MATERIAL: CONCRETE



CONCAST
1010 NORTH STAR DRIVE
P.O. BOX 69
ZUMBROTA, MN 55992-0069

DESCRIPTION: HEAVY TRAFFIC CHANNEL		SHEET 1 OF 1
DIMENSIONS ARE IN INCHES TOLERANCES: FRACTIONAL: ± 1/8" ANGULAR: ± 2°	CONTACT INFORMATION: EMAIL: INFO@CONCASTINC.COM PHONE: (507) 732-4095 FAX: (507) 732-4094	
PART NUMBER: HT4F4016 48"		