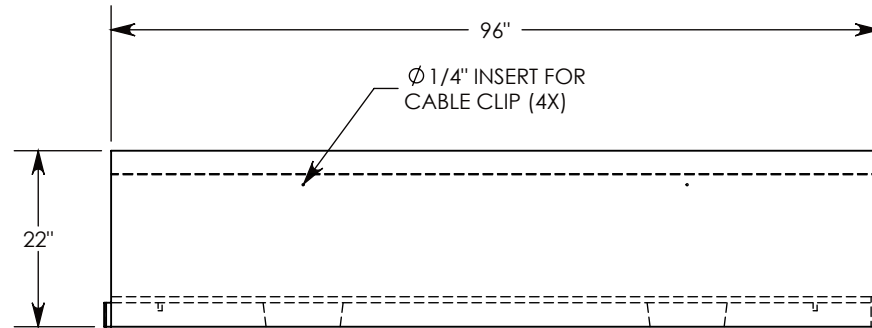
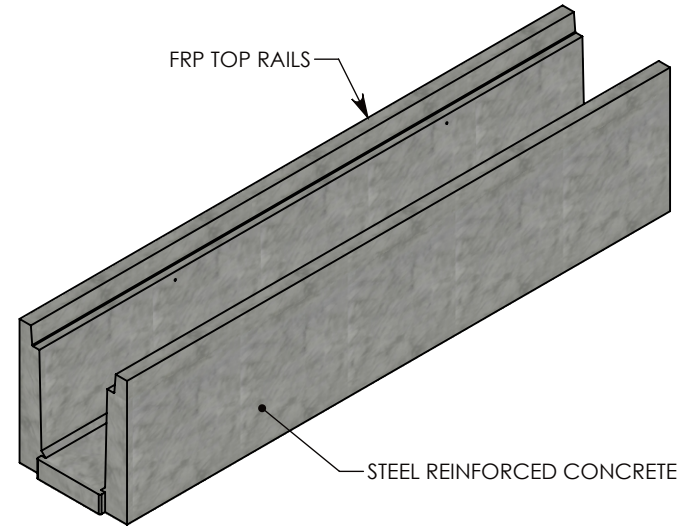
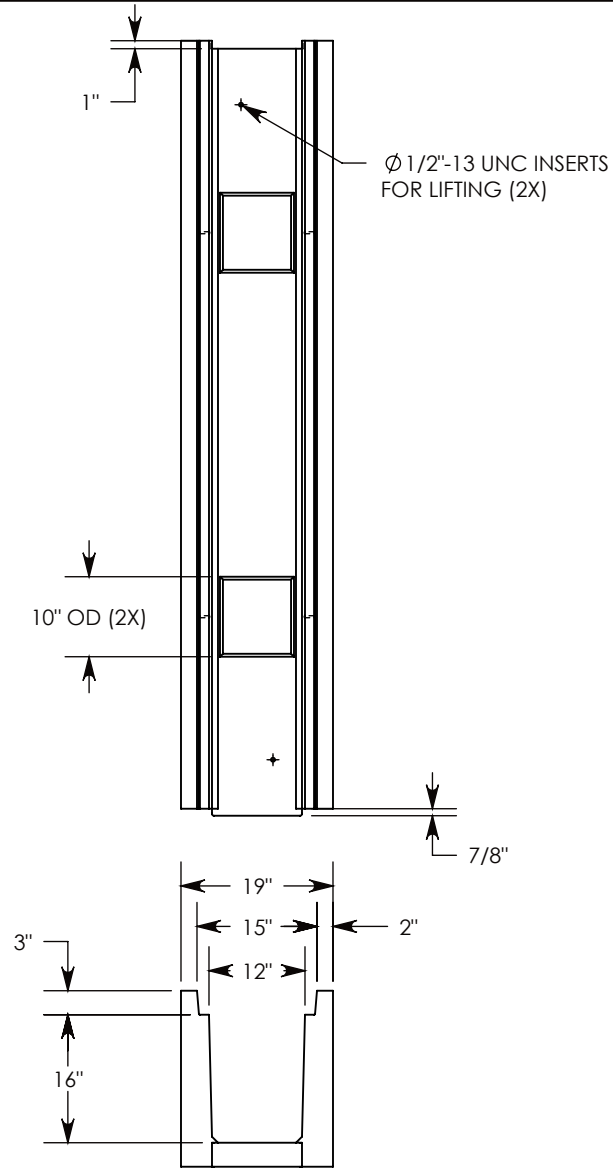


FIBERCRETE[®]
TRENCH
SYSTEM



NOTE 1: ALL NON-STANDARD LENGTHS OF CHANNEL WILL BE SOLID BOTTOM AND DESIGNATED WITH ITS CORRESPONDING LENGTH MEASUREMENT. IE: HTF1216 32"

MAX H-40 RATED - 64,000 LB. PER AXLE LOAD.
 DEPENDENT ON TRENCH COVER RATING

DRAWN BY: ROSS LAGER

DATE: 1/25/2019

REVISION LEVEL: 0

WEIGHT:

1440 LBS.

MATERIAL:

CONCRETE



DESCRIPTION:

HEAVY TRAFFIC CHANNEL

DIMENSIONS ARE IN INCHES
 TOLERANCES:
 FRACTIONAL: $\pm 1/8"$
 ANGULAR: $\pm 2^\circ$

CONTACT INFORMATION:
 EMAIL: INFO@CONCASTINC.COM
 PHONE: (507) 732-4095
 FAX: (507) 732-4094

SHEET 1 OF 1

PART NUMBER:

HTF1216