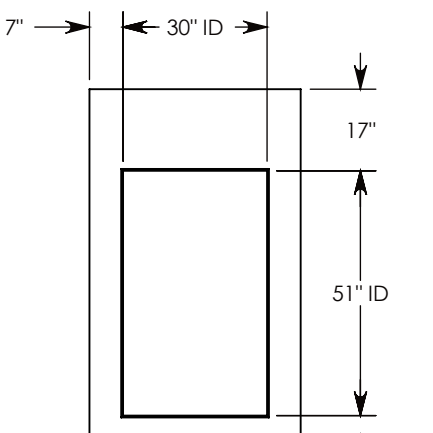
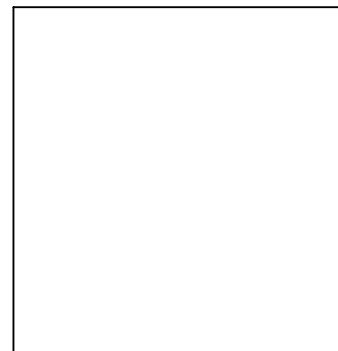


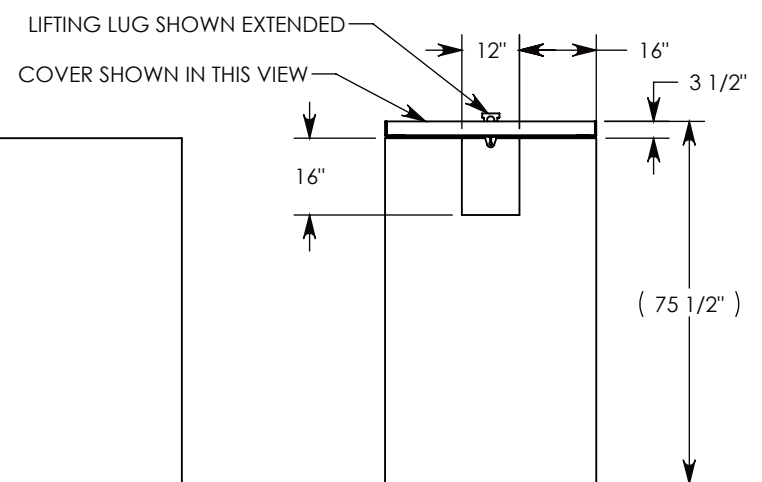
SIDE "A"



SIDE "B"



SIDE "C"



SIDE "D"

<b>DRAWN BY:</b> MALACHI MLINAR	
<b>CREATED DATE:</b> 9/30/2021	<b>REVISION LEVEL:</b> 0
<b>SAVED DATE:</b> 9/30/2021	<b>SAVED BY:</b> mmlinar
<b>WEIGHT:</b> 5657 LBS.	<b>MATERIAL:</b> NOTED



**CONCAST**  
1010 NORTH STAR DRIVE  
P.O. BOX 69  
ZUMBROTA, MN 55992-0069

<b>DESCRIPTION:</b> <b>PULL BOX W/ GALV. STEEL COVER</b>		
DIMENSIONS ARE IN INCHES TOLERANCES: FRACTIONAL: ± 1/8" ANGULAR: ± 2°	CONTACT INFORMATION: EMAIL: INFO@CONCASTINC.COM PHONE: (507) 732-4095 FAX: (507) 732-4094	SHEET 1 OF 1
<b>PART NUMBER:</b> <b>PB-44-68-72-S82</b>		