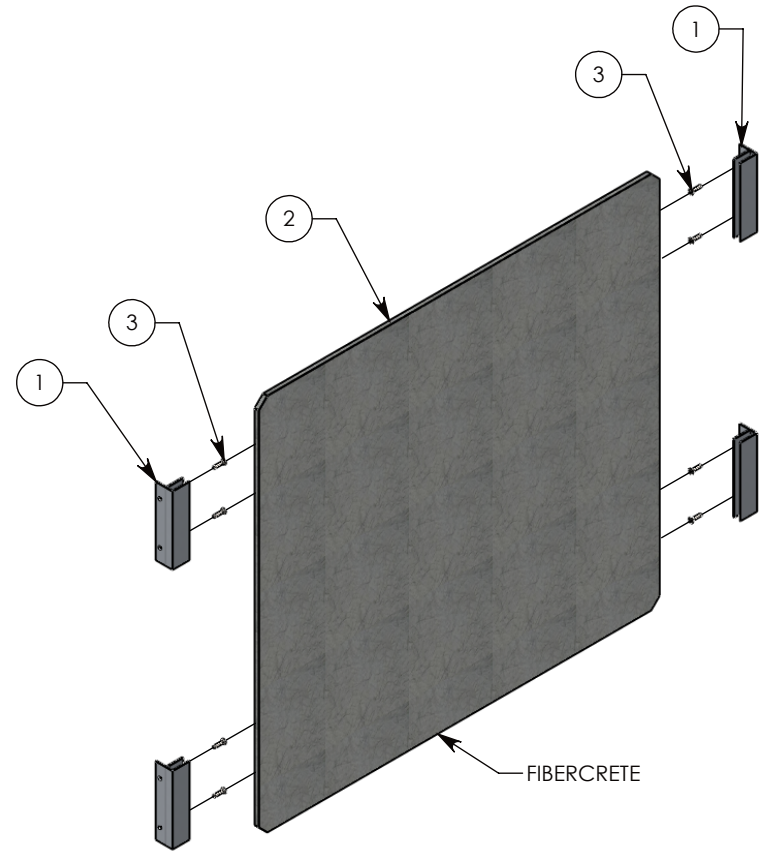
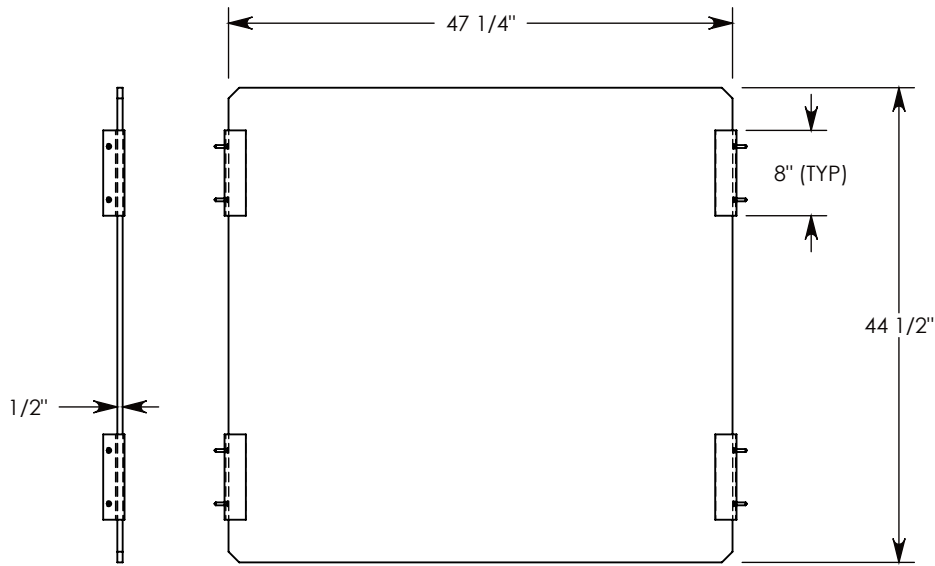


CONCAST PB-56-56-52 PULL BOX
PURCHASED SEPARATELY



ITEM NO.	PART NUMBER	DESCRIPTION	QTY.
1	DIV-BKT	1/2" ALUMINUM SLEEVE	4
2	PB-56-52-DIV	PULL BOX DIVIDER BOARD	1
3	TAPCONS	TAPCON SCREW 1/4" X 1" LG	8

NOTE 1: TO BE FIELD INSTALLED.

NOTE 2: DESIGNED TO CREATE SEPARATION IN A 56" WIDE BY 52" TALL CONCAST PULL BOX.

DRAWN BY: ROBIN FLINT

DATE: 9/9/2013

REVISION LEVEL: 0

WEIGHT:

79 LBS.

MATERIAL:

NOTED



DESCRIPTION:

PULL BOX DIVIDER

DIMENSIONS ARE IN INCHES
TOLERANCES:
FRACTIONAL: $\pm 1/8"$
ANGULAR: $\pm 2^\circ$

CONTACT INFORMATION:
EMAIL: INFO@CONCASTINC.COM
PHONE: (507) 732-4095
FAX: (507) 732-4094

SHEET 1 OF 1

PART NUMBER:

PB-56-52-DIV