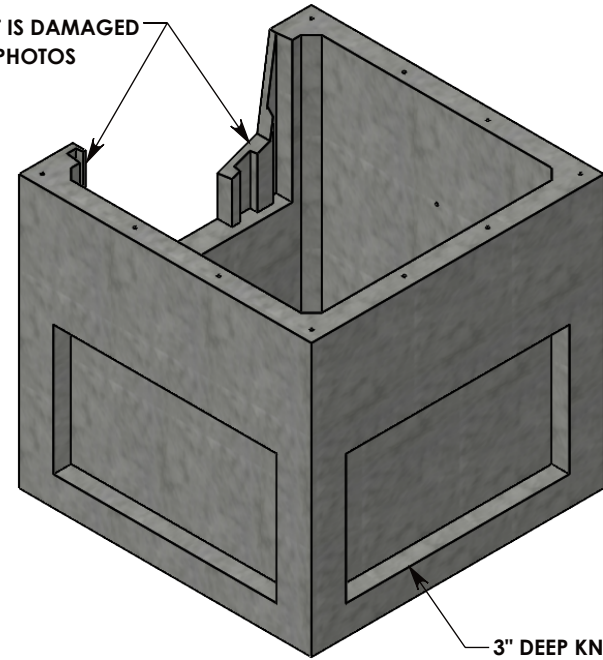
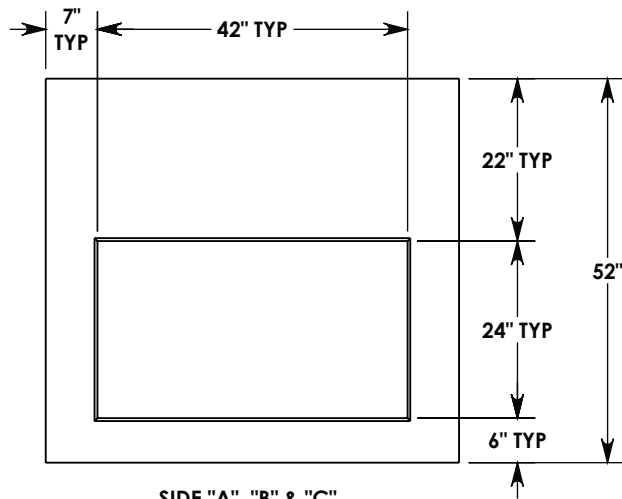


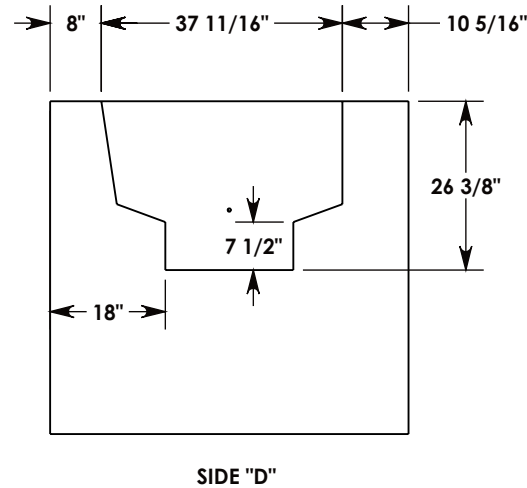
BLOCKOUT IS DAMAGED
SEE PHOTOS



3" DEEP KNOCKOUTS
CAST INTO SIDES A, B & C



DIMENSIONS OF DAMAGED
BLOCKOUT ARE APPROXIMATE



DRAWN BY: MALACHI MLINAR

CREATED DATE: 1/31/2024 REVISION LEVEL: 0

SAVED DATE: 1/31/2024 SAVED BY: mmlinar

WEIGHT: 3462 LBS. MATERIAL: CONCRETE

CONCAST
1010 NORTH STAR DRIVE
P.O. BOX 69
ZUMBROTA, MN 55992-0069

DESCRIPTION:

CONCRETE PULL BOX

DIMENSIONS ARE IN INCHES

TOLERANCES:
FRACTIONAL: ± 1/8"
ANGULAR: ± 2°

CONTACT INFORMATION:

EMAIL: INFO@CONCASTINC.COM
PHONE: (507) 732-4095
FAX: (507) 732-4094

SHEET 1 OF 1

PART NUMBER:

PB-56-56-52-S97