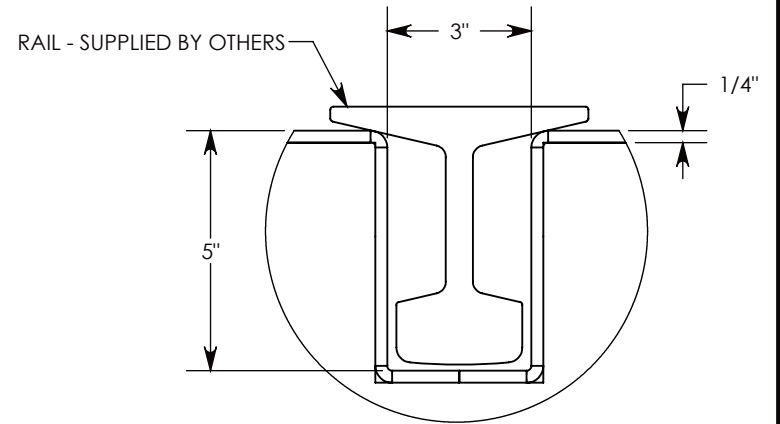
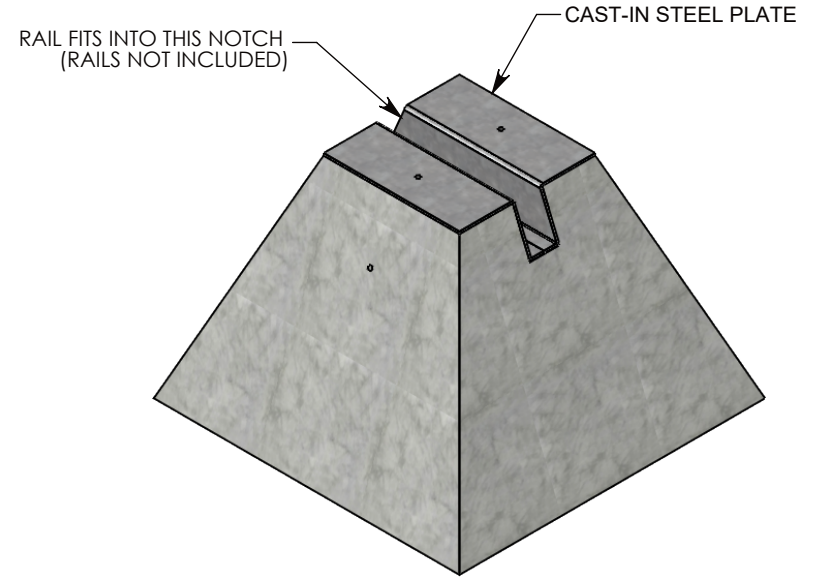
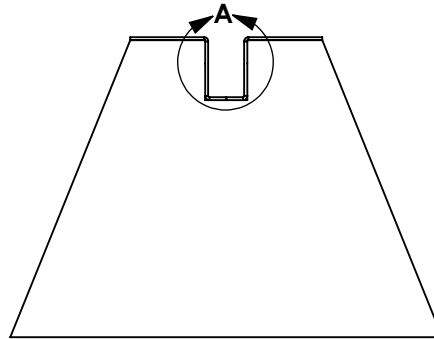
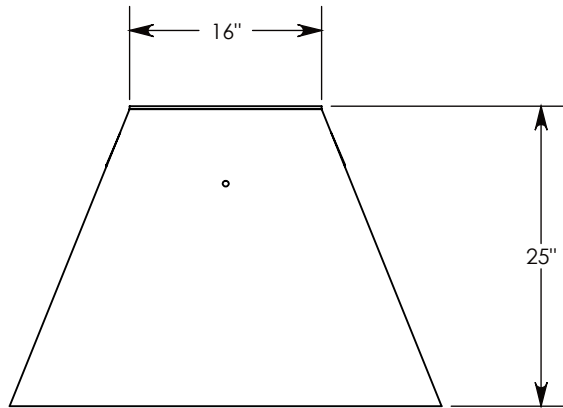
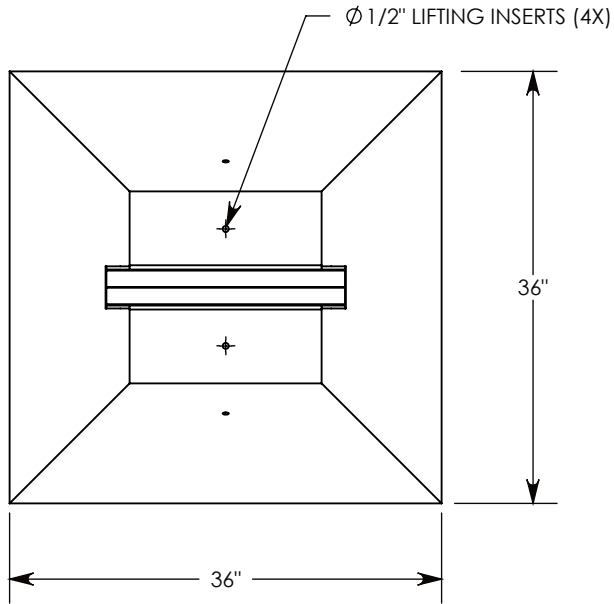


REV A - MKM - 4/30/19 - UPDATED DETAIL A TO SHOW RAIL & ADD PLATE DIMENSIONS

REV B - RAL - 6/20/2019 - UPDATED WEIGHT

REV C - MKM - 8/8/19 - UPDATED ACCURACY OF HEIGHT AND INSERT LOCATIONS



**DETAIL A**  
**SCALE 1 : 4**  
**(RAIL SHOWN)**

<b>DRAWN BY: ROBIN FLINT</b>	
<b>DATE: 8/8/2019</b>	<b>REVISION LEVEL: C</b>
<b>WEIGHT: 1490 LBS.</b>	<b>MATERIAL: CONCRETE &amp; STEEL</b>



1010 NORTH STAR DRIVE  
P.O. BOX 69  
ZUMBROTA, MN 55992-0069

<b>DESCRIPTION:</b> <b>POLE YARD BUNKER</b>		
DIMENSIONS ARE IN INCHES TOLERANCES: FRACTIONAL: ± 1/8" ANGULAR: ± 2°	CONTACT INFORMATION: EMAIL: INFO@CONCASTINC.COM PHONE: (507) 732-4095 FAX: (507) 732-4094	SHEET 1 OF 1
<b>PART NUMBER: PB-60</b>		