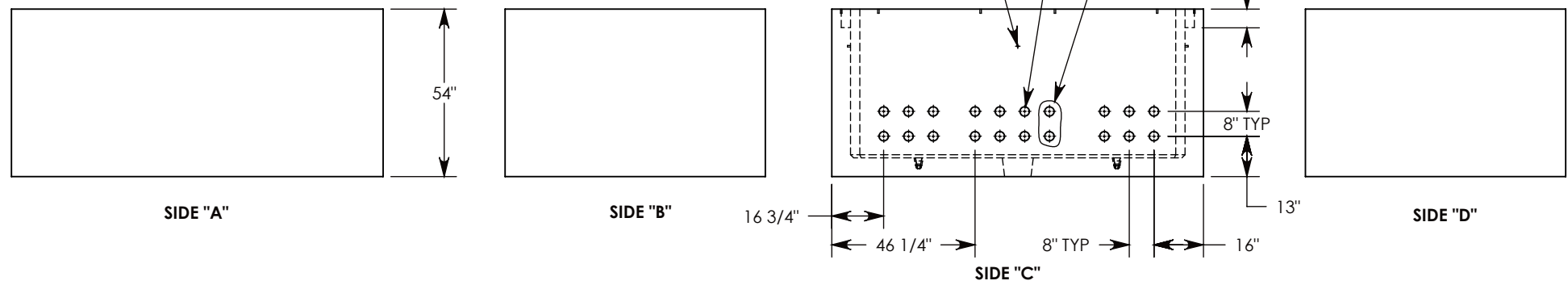


CON-DUCT TERMINATORS ARE CAST INTO BOX SIDE WALLS. 20 PER SIDE (1X) THEY FIT UP TO 4" PVC PIPE. TO ACCESS THE HOLES, BREAK THE PLASTIC SEAL.

SLIGHT DAMAGE IN THIS AREA

6" TYP

Ø 1/2"-13 UNC INSERT (4X) FOR PULLING EYES. LOCATED ON BOX INTERIOR (1X PER SIDE)



<b>DRAWN BY:</b> MALACHI MLINAR	
<b>DATE:</b> 7/3/2019	<b>REVISION LEVEL:</b> 0
<b>WEIGHT:</b> 13963 LBS.	<b>MATERIAL:</b> CONCRETE



1010 NORTH STAR DRIVE  
P.O. BOX 69  
ZUMBROTA, MN 55992-0069

<b>DESCRIPTION:</b> <b>CONCRETE PULL BOX</b>		
DIMENSIONS ARE IN INCHES TOLERANCES: FRACTIONAL: ± 1/8" ANGULAR: ± 2°	CONTACT INFORMATION: EMAIL: INFO@CONCASTINC.COM PHONE: (507) 732-4095 FAX: (507) 732-4094	SHEET 1 OF 1
<b>PART NUMBER:</b> <b>PB-84-120-54-S39</b>		