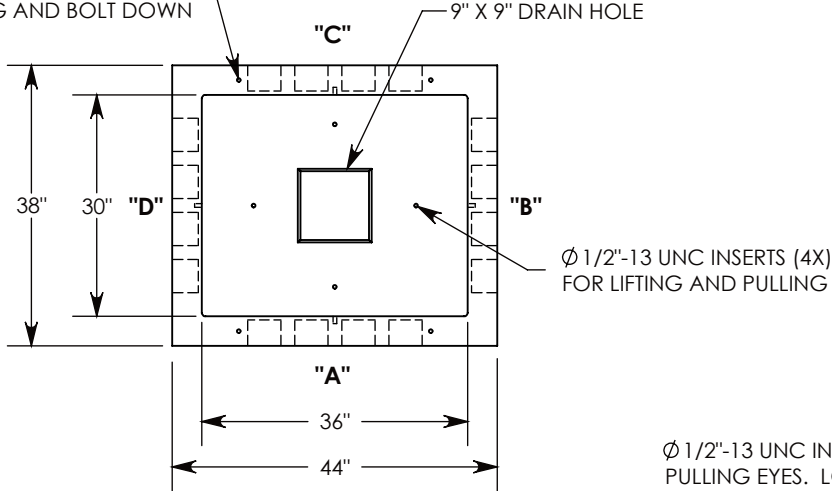


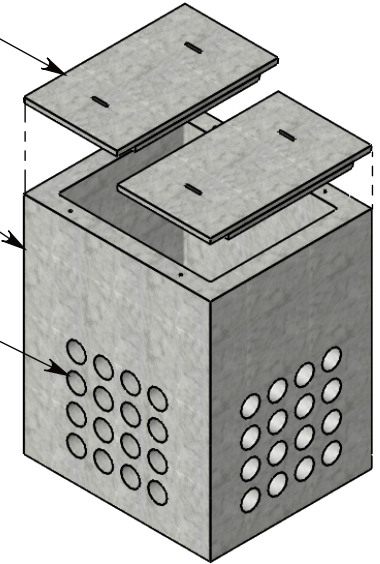
Ø 1/2"-13 UNC INSERTS (4X)  
FOR LIFTING AND BOLT DOWN



PEDESTRIAN RATED  
FIBERCRETE COVER (2X)  
~75 LBS EACH  
P/N: 38-22-FC

STEEL REINFORCED  
CONCRETE PULL BOX  
~2602 LBS  
P/N: PB16-38-44-53

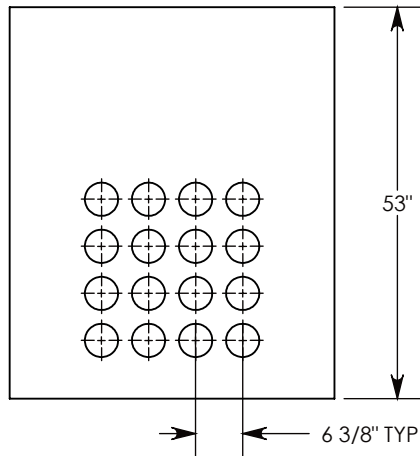
CON-DUCT TERMINATIONS ARE CAST  
INTO BOX SIDEWALLS. 16 PER SIDE (4X)  
THEY FIT UP TO 4" PVC PIPE. TO ACCESS  
THE HOLES, BREAK THE PLASTIC SEAL



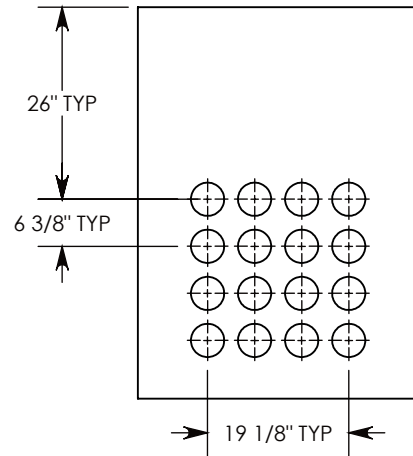
Ø 1/2"-13 UNC INSERT (4X) FOR  
PULLING EYES. LOCATED ON  
BOX INTERIOR (1X PER SIDE)

COVER SHOWN IN THIS VIEW

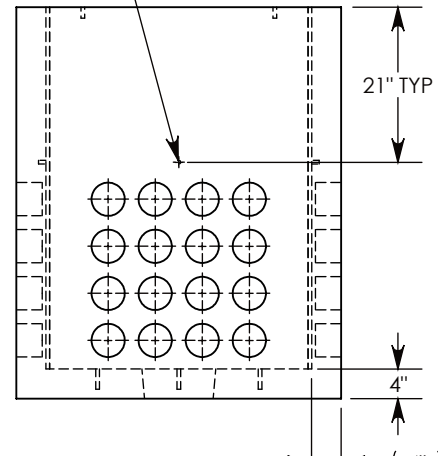
1 1/4" COVER



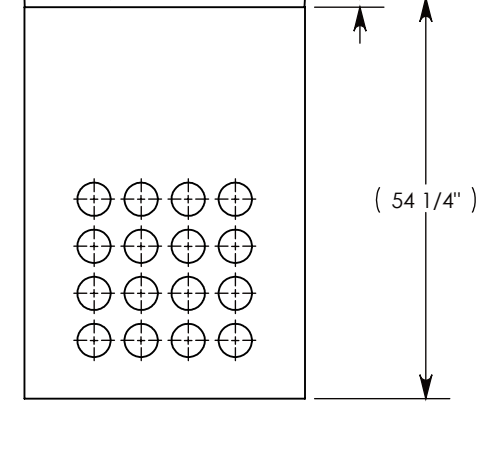
SIDE "A" (HLR)



SIDE "B" (HLR)



SIDE "C"



SIDE "D" (HLR)

**NOTE 1:** FOR PVC SIZES SMALLER THAN 4", USE CONCAST RC41 (REDUCING COUPLER).

PEDESTRIAN RATED - 200 LB. PER SQ. FOOT

**DRAWN BY:** ROBIN FLINT

**DATE:** 5/17/2018

**REVISION LEVEL:** B

**WEIGHT:**

2752 LBS. W/COVER

**MATERIAL:**

NOTED



**DESCRIPTION:**

**CONCRETE PULL BOX W/FC COVER**

DIMENSIONS ARE IN INCHES  
TOLERANCES:  
FRACTIONAL: ± 1/8"  
ANGULAR: ± 2°

CONTACT INFORMATION:  
EMAIL: INFO@CONCASTINC.COM  
PHONE: (507) 732-4095  
FAX: (507) 732-4094

SHEET 1 OF 1

**PART NUMBER:**

**PB16-38-44-53-FC**