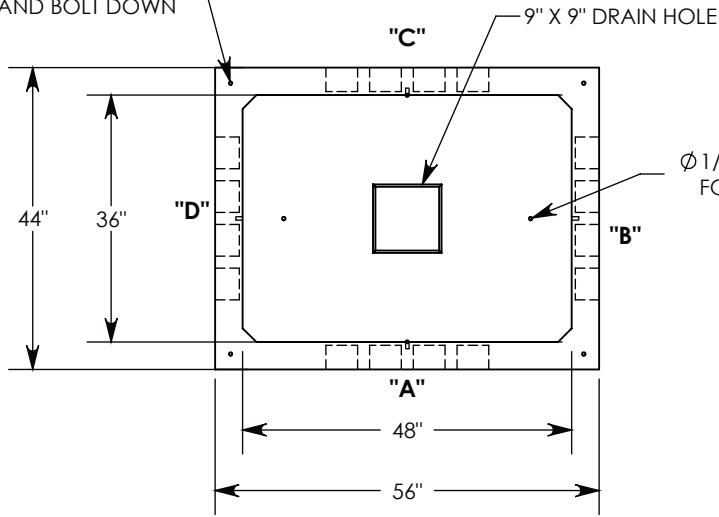


Ø 1/2"-13 UNC INSERTS (4X)  
FOR LIFTING AND BOLT DOWN



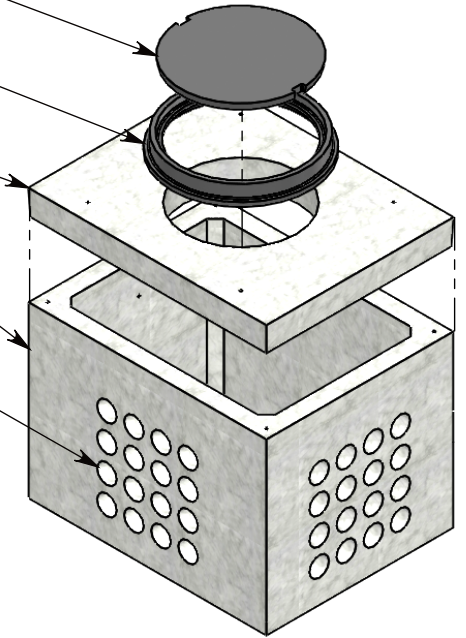
CAST IRON MANHOLE LID  
~239 LBS  
P/N: CI-32-26-CVR

34 INCH CAST IRON FRAME  
~150 LBS  
P/N: CI-32-26-FRM

H-20 HEAVY TRAFFIC RATED  
CONCRETE MANHOLE COVER  
~1016 LBS  
P/N: 44-56-MH

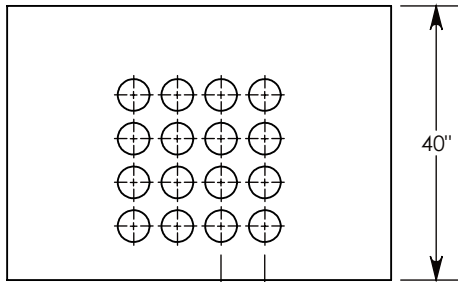
CONCRETE PULL BOX  
~2662 LBS  
P/N: PB16-44-56-40

CON-DUCT TERMINATIONS ARE CAST  
INTO BOX SIDEWALLS. 16 PER SIDE (4X)  
THEY FIT UP TO 4" PVC PIPE. TO ACCESS  
THE HOLES, BREAK THE PLASTIC SEAL

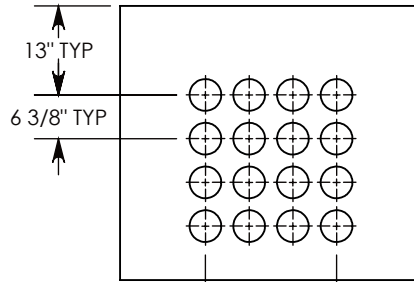


Ø 1/2"-13 UNC INSERT (4X) FOR  
PULLING EYES. LOCATED ON  
BOX INTERIOR (1X PER SIDE)

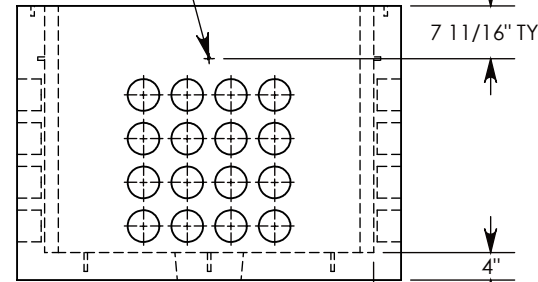
COVER SHOWN IN THIS VIEW



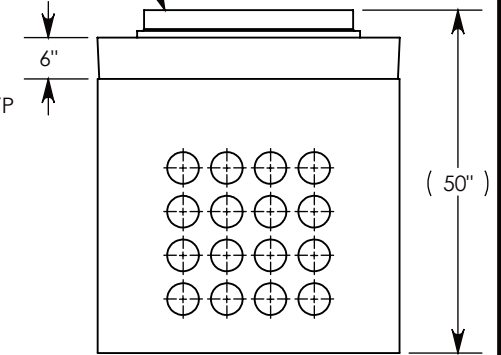
SIDE "A" (HLR)



SIDE "B" (HLR)



SIDE "C"



SIDE "D" (HLR)

NOTE 1: FOR PVC SIZES SMALLER THAN 4", USE CONCAST RC41 (REDUCING COUPLER).

AASHTO H-20 RATED - 32,000 LB. SINGLE AXLE LOAD

<b>DRAWN BY: ROBIN FLINT</b>	
<b>DATE: 5/31/2018</b>	<b>REVISION LEVEL: B</b>
<b>WEIGHT: 4067 LBS. W/COVER</b>	<b>MATERIAL: NOTED</b>



1010 NORTH STAR DRIVE  
P.O. BOX 69  
ZUMBROTA, MN 55992-0069

<b>DESCRIPTION:</b>		
<b>PULL BOX W/ MANHOLE COVER</b>		
DIMENSIONS ARE IN INCHES TOLERANCES: FRACTIONAL: ± 1/8" ANGULAR: ± 2°	CONTACT INFORMATION: EMAIL: INFO@CONCASTINC.COM PHONE: (507) 732-4095 FAX: (507) 732-4094	SHEET 1 OF 1
<b>PART NUMBER: PB16-44-56-40-MH</b>		