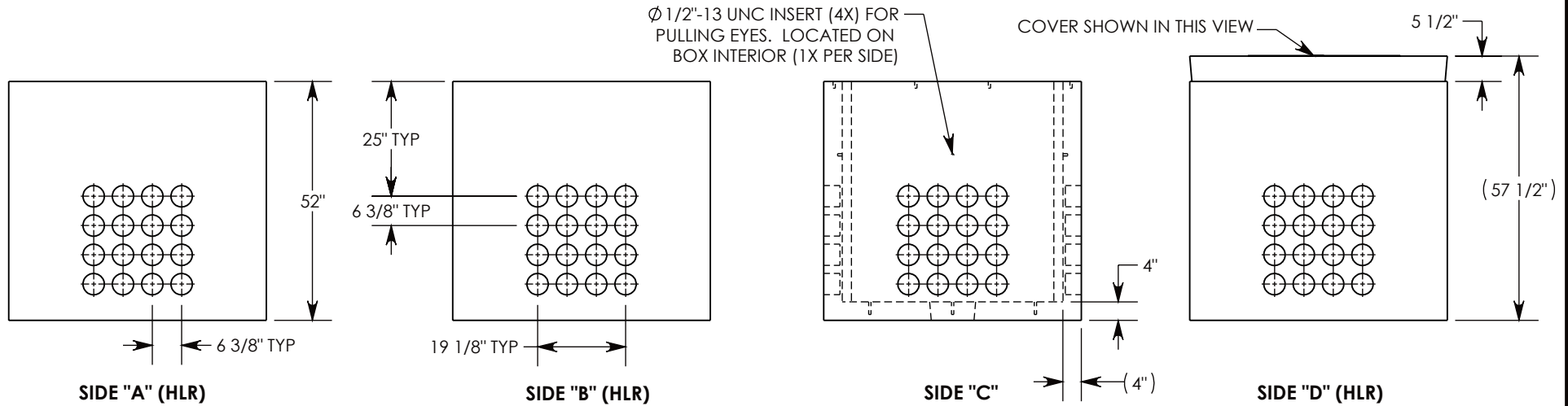
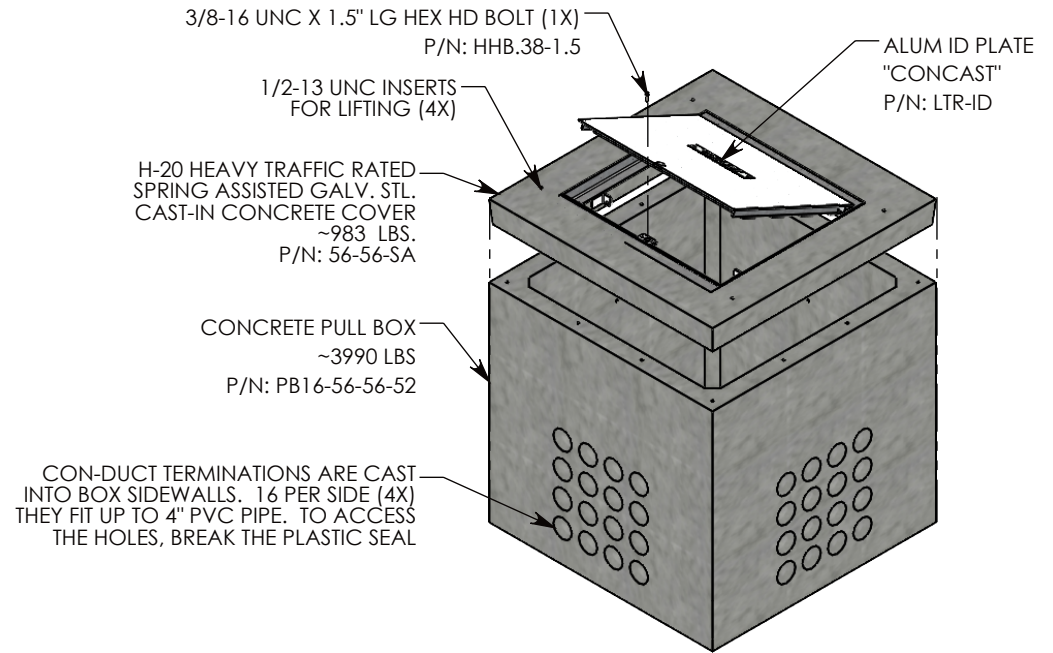
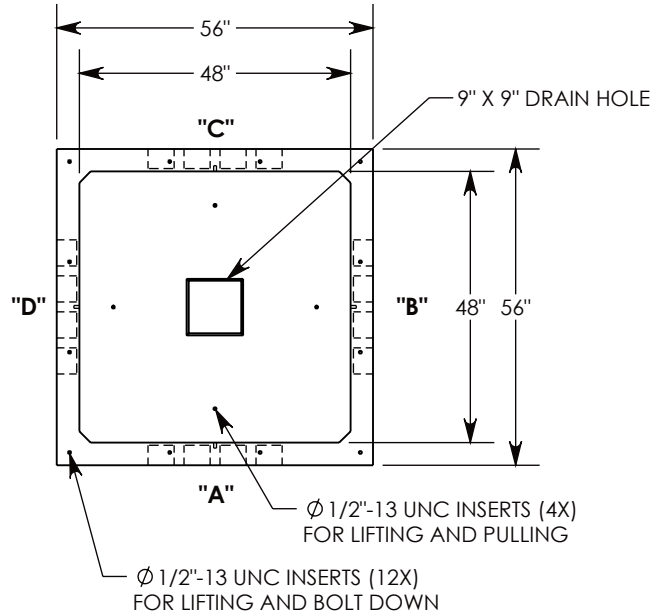


REV. A - SIC - 10/10/2019 - UPDATED NOTES, VIEWS, AND DIMENSIONS; 1/2"-13 UNC BOLT DOWN INSERTS, QTY: 12 WAS QTY: 4; ADDED COVER CLOSING BOLT
 REV. B - SIC - 10/10/2023 - 56-56-SA COVER DESIGN UPDATED; 56-56-SA COVER WEIGHT CHANGED TO 983 LBS, WAS 1,111 LBS; OVERALL HEIGHT CHANGED TO 57 1/2", WAS 58"; OVERALL ASSEMBLY WEIGHT CHANGED TO 4,974 LBS, WAS 5,101 LBS; CORRECTED PART NUMBER SHOWN



NOTE 1: FOR PVC SIZES SMALLER THAN 4", USE CONCAST RC41 (REDUCING COUPLER).

AASHTO H-20 RATED - 32,000 LB. SINGLE AXLE LOAD

DRAWN BY: ROBIN FLINT	
CREATED DATE: 3/26/2010	REVISION LEVEL: B
SAVED DATE: 10/10/2023	SAVED BY: scallahan
WEIGHT: 4974 LBS.	MATERIAL: NOTED

1010 NORTH STAR DRIVE
 P.O. BOX 69
 ZUMBROTA, MN 55992-0069

DESCRIPTION: PULL BOX W/SPRING-ASSIST COVER		SHEET 1 OF 1
DIMENSIONS ARE IN INCHES TOLERANCES: FRACTIONAL: ± 1/8" ANGULAR: ± 2°	CONTACT INFORMATION: EMAIL: INFO@CONCASTINC.COM PHONE: (507) 732-4095 FAX: (507) 732-4094	
PART NUMBER: PB16-56-56-52-SA		