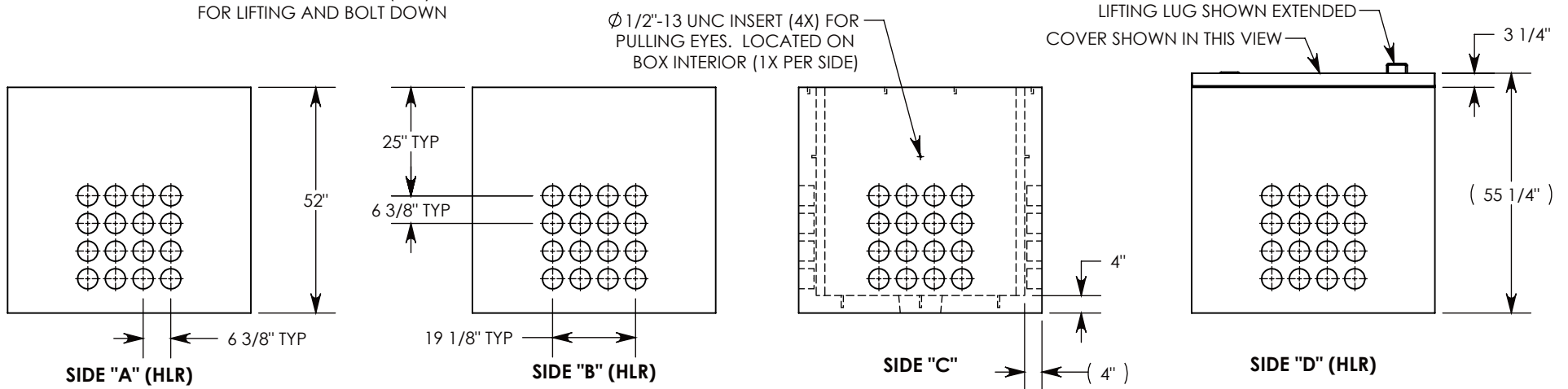
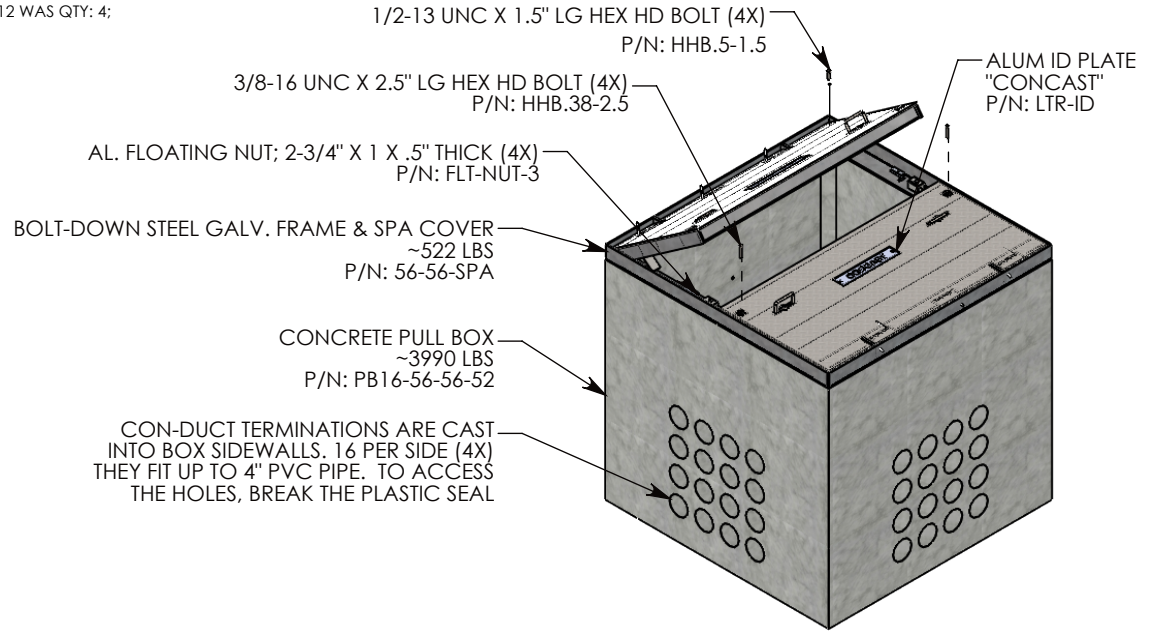
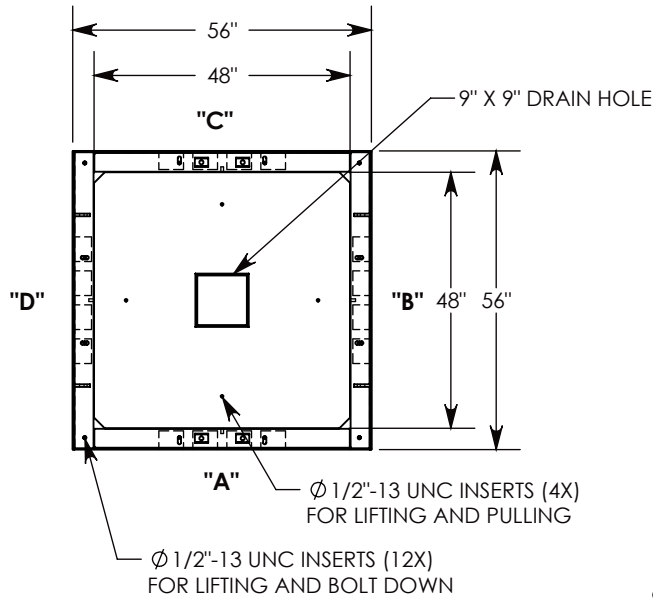


REV. A - RAL - 2/15/2018 - UPDATED COVER  
 REV. B - MKM - 9/4/2018 - UPDATED NOTES & DIMENSIONS  
 REV. C - MKM - 10/26/2018 - UPDATED NOTES  
 REV. D - SIC - 10/10/2019 - UPDATED NOTES AND DIMENSIONS; 1/2"-13 UNC BOLT DOWN INSERTS, QTY: 12 WAS QTY: 4;  
 UPDATED COVER BOLT LENGTH AND ADDED SECURITY NOTE



NOTE 1: FOR PVC SIZES SMALLER THAN 4", USE CONCAST RC41 (REDUCING COUPLER)  
 NOTE 2: FOR ADDED SECURITY, PENTA HEAD (P/N: PTA.38-2.5) OR SURELOCK BOLTS (P/N: SL.38-2.5) CAN BE ADDED

AASHTO H-20 RATED - 32,000 LB. SINGLE AXLE LOAD

DRAWN BY: <b>ROBIN FLINT</b>	
CREATED DATE: <b>3/26/2010</b>	REVISION LEVEL: <b>D</b>
SAVED DATE: <b>10/11/2019</b>	SAVED BY: <b>scallahan</b>
WEIGHT: <b>4520 LBS.</b>	MATERIAL: <b>NOTED</b>

**CONCAST**  
 1010 NORTH STAR DRIVE  
 P.O. BOX 69  
 ZUMBROTA, MN 55992-0069

<b>DESCRIPTION:</b> <b>PULL BOX W/SPRING ASSIST GALV STL COVER</b>		
DIMENSIONS ARE IN INCHES TOLERANCES: FRACTIONAL: ± 1/8" ANGULAR: ± 2°	CONTACT INFORMATION: EMAIL: <a href="mailto:INFO@CONCASTINC.COM">INFO@CONCASTINC.COM</a> PHONE: (507) 732-4095 FAX: (507) 732-4094	SHEET 1 OF 1
<b>PART NUMBER:</b> <b>PB16-56-56-52-SPA</b>		