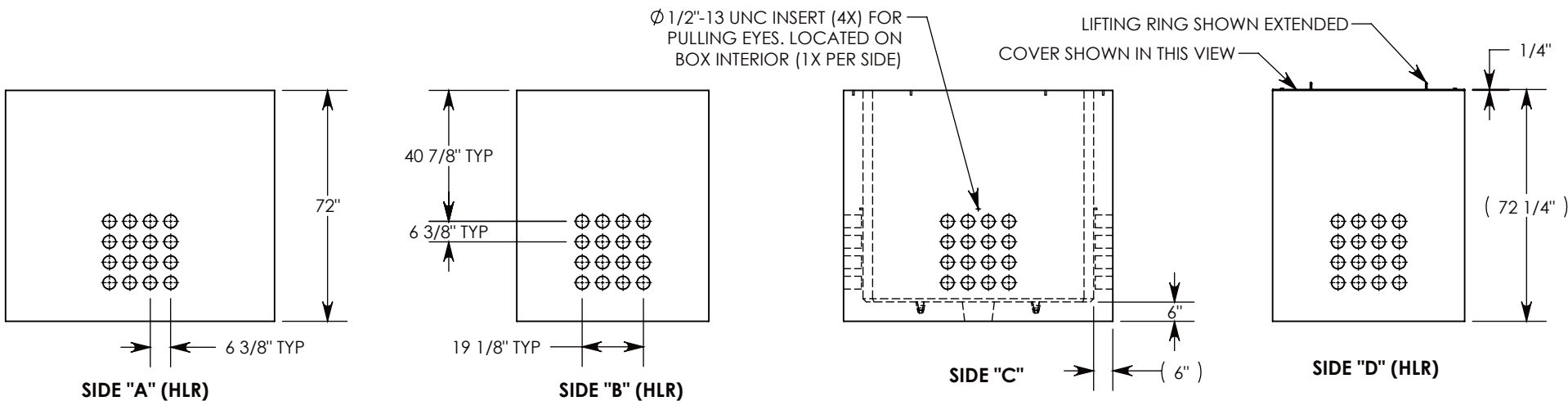
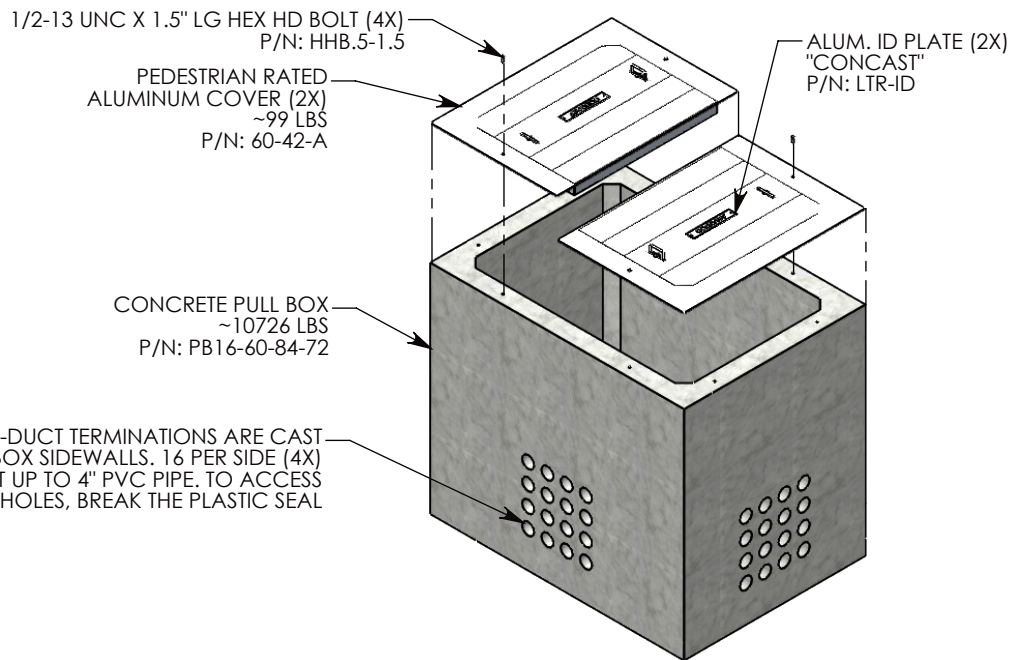
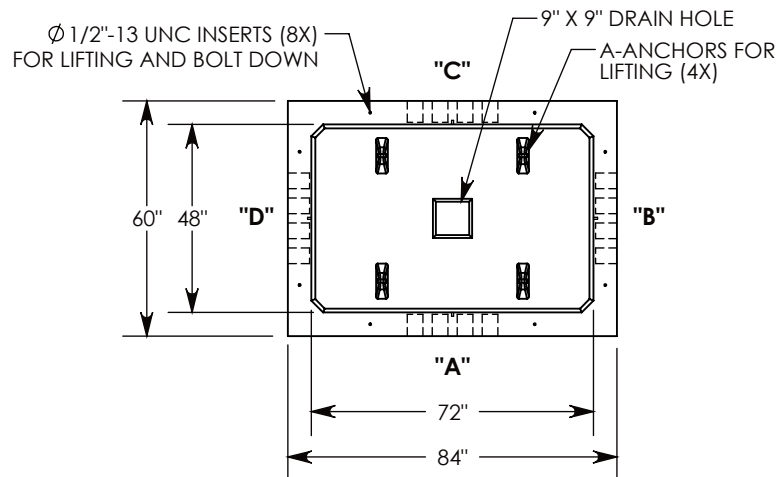


REV. B - MKM - 8/9/2018 - UPDATED HARDWARE FOR BOLT DOWN
 REV. C - SIC - 3/23/2020 - UPDATED ANNOTATIONS; UPDATED 60-42-A WEIGHT TO 99 LBS, WAS 111 LBS



NOTE 1: FOR PVC SIZES SMALLER THAN 4", USE CONCAST RC41 (REDUCING COUPLER).
 NOTE 2: FOR ADDED SECURITY, PENTA HEAD BOLTS (P/N: PTA.5-1.5) CAN BE ADDED

PEDESTRIAN RATED - 200 LB. PER SQ. FOOT

DRAWN BY: ROBIN FLINT	
CREATED DATE: 6/24/2011	REVISION LEVEL: C
SAVED DATE: 3/23/2020	SAVED BY: scallahan
WEIGHT: 10925 LBS.	MATERIAL: NOTED

CONCAST
 1010 NORTH STAR DRIVE
 P.O. BOX 69
 ZUMBROTA, MN 55992-0069

DESCRIPTION:
PULL BOX W/ALUMINUM COVERS

DIMENSIONS ARE IN INCHES
 TOLERANCES:
 FRACTIONAL: ± 1/8"
 ANGULAR: ± 2°

CONTACT INFORMATION:
 EMAIL: INFO@CONCASTINC.COM
 PHONE: (507) 732-4095
 FAX: (507) 732-4094

SHEET 1 OF 1

PART NUMBER:
PB16-60-84-72-A