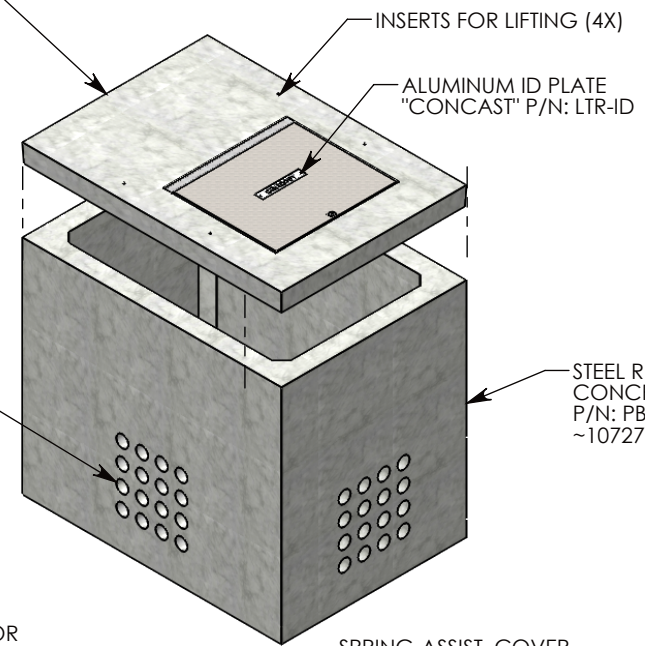
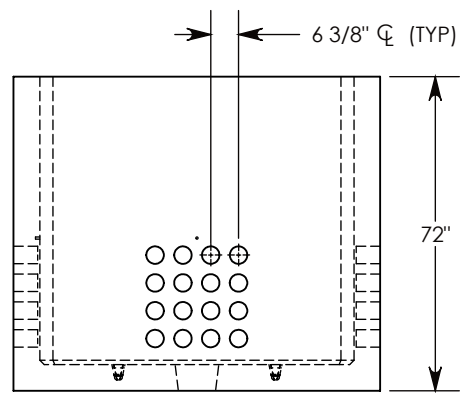


H-20 HEAVY TRAFFIC RATED
 SPRING ASSISTED GALV. STL.
 CAST-IN CONCRETE COVER
 ~1,979 LBS. P/N:60-84-SA

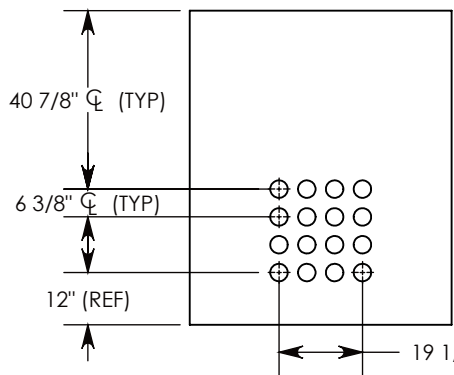


CON-DUCT TERMINATIONS ARE CAST
 INTO BOX SIDEWALLS. 16 PER SIDE (4X)
 THEY FIT UP TO 4\"/>

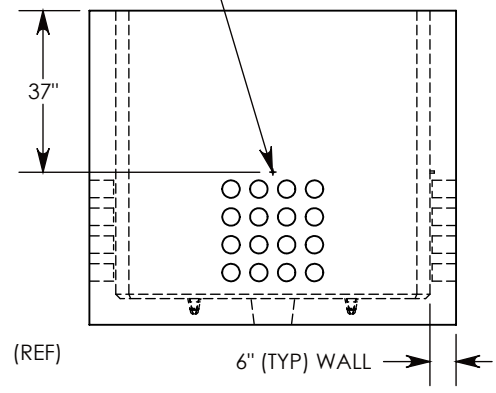
STEEL REINFORCED
 CONCRETE PULL BOX
 P/N: PB16-60-84-72
 ~10727 LBS.



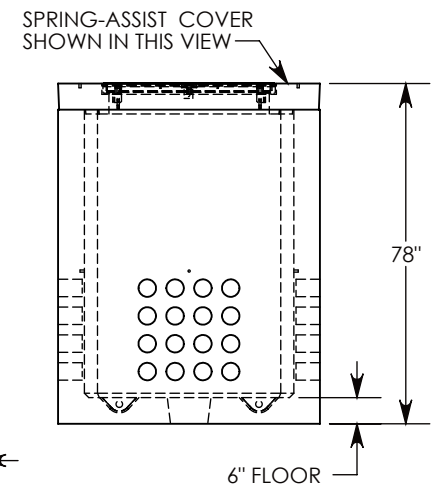
SIDE "A"



SIDE "B" (HLR)



SIDE "C"



SIDE "D"

Ø-13 UNC INSERT (4X) FOR
 PULLING EYES. LOCATED ON
 BOX INTERIOR (1X PER SIDE)

SPRING-ASSIST COVER
 SHOWN IN THIS VIEW

NOTE 1: FOR PVC SIZES SMALLER THAN 4", USE CONCAST RC41 (REDUCING COUPLER).

H-20 RATED - 32,000 LB. PER AXLE LOAD.

DRAWN BY: ROBIN FLINT	
DATE: 6/13/2016	REVISION LEVEL: 0
WEIGHT: 12706 LBS. W/COVER	MATERIAL: NOTED



1010 NORTH STAR DRIVE
 P.O. BOX 69
 ZUMBROTA, MN 55992-0069

DESCRIPTION: PULL BOX W/SPRING-ASSIST RSG COVER		
DIMENSIONS ARE IN INCHES TOLERANCES: FRACTIONAL: ± 1/8" ANGULAR: ± 2°	CONTACT INFORMATION: EMAIL: INFO@CONCASTINC.COM PHONE: (507) 732-4095 FAX: (507) 732-4094	SHEET 1 OF 1
PART NUMBER: PB16-60-84-72-SA		