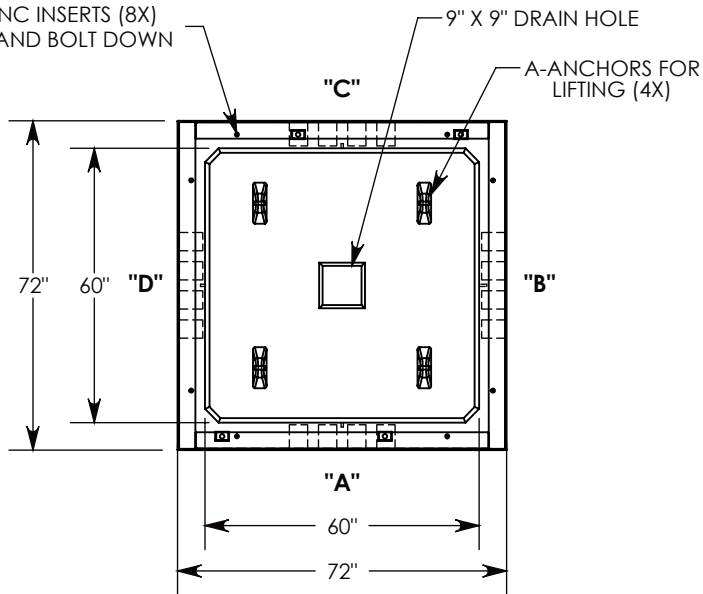


REV B - MKM - 8/16/18 - UPDATED HARDWARE FOR BOLT DOWN  
 REV C - SIC - 6/7/2019 - UPDATED SURELOCK NOTE

Ø 1/2"-13 UNC INSERTS (8X)  
 FOR LIFTING AND BOLT DOWN



3/8-16 UNC X 1.5" LG HEX HD BOLT (4X)  
 P/N: HHB.38-1.5

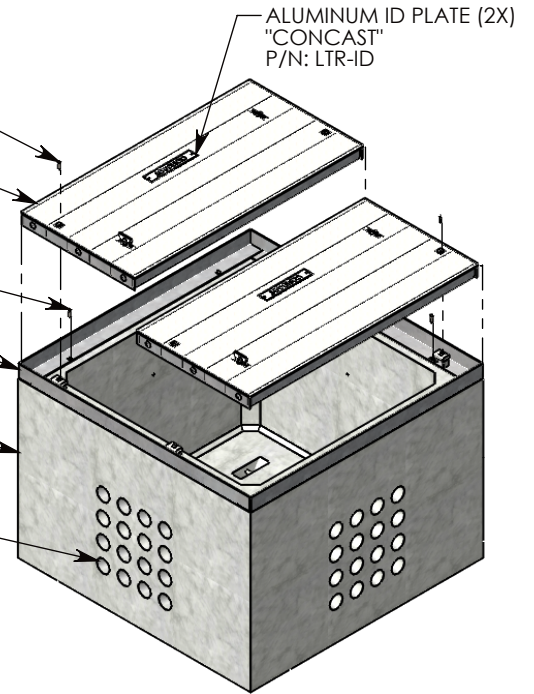
H-20 HEAVY TRAFFIC RATED  
 GALVANIZED STEEL COVER (2X)  
 ~360 LBS  
 P/N: 72-36-RSG

1/2-13 UNC X 1.5" LG HEX HD BOLT (8X)  
 P/N: HHB.5-1.5

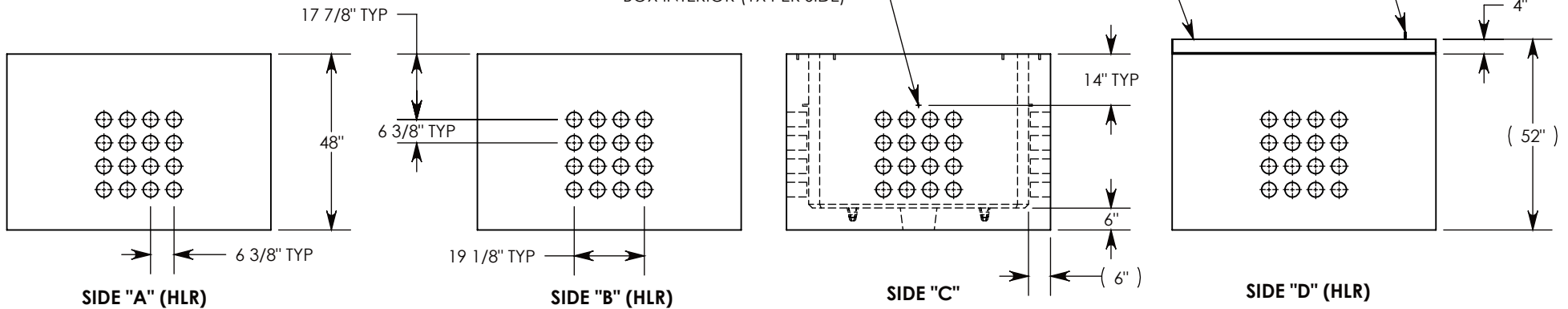
BOLT DOWN GALV. STEEL FRAME  
 ~153 LBS  
 P/N: 72-72-FRM

CONCRETE PULL BOX  
 ~7648 LBS  
 P/N: PB16-72-72-48

CON-DUCT TERMINATIONS ARE CAST  
 INTO BOX SIDEWALLS. 16 PER SIDE (4X)  
 THEY FIT UP TO 4" PVC PIPE. TO ACCESS  
 THE HOLES, BREAK THE PLASTIC SEAL



Ø 1/2"-13 UNC INSERT (4X) FOR  
 PULLING EYES. LOCATED ON  
 BOX INTERIOR (1X PER SIDE)



NOTE 1: FOR PVC SIZES SMALLER THAN 4", USE CONCAST RC41 (REDUCING COUPLER).

NOTE 2: FOR ADDED SECURITY, PENTA HEAD (P/N: PTA.38-1.5) OR SURELOCK BOLTS (P/N: SL.38-1.25) CAN BE ADDED

AASHTO H-20 RATED - 32,000 LB. SINGLE AXLE LOAD

|                              |                          |   |  |  |              |
|------------------------------|--------------------------|---|--|--|--------------|
| <b>DRAWN BY: ROBIN FLINT</b> |                          | <br>1010 NORTH STAR DRIVE<br>P.O. BOX 69<br>ZUMBROTA, MN 55992-0069 | <b>DESCRIPTION:</b>  |  |              |
| <b>DATE: 6/7/2019</b>        | <b>REVISION LEVEL: C</b> |   | <b>PULL BOX W/GALV. STEEL COVERS</b>   |  |              |
| <b>WEIGHT:</b>               | <b>MATERIAL:</b>         |   | DIMENSIONS ARE IN INCHES<br>TOLERANCES:<br>FRACTIONAL: ± 1/8"<br>ANGULAR: ± 2° | CONTACT INFORMATION:<br>EMAIL: INFO@CONCASTINC.COM<br>PHONE: (507) 732-4095<br>FAX: (507) 732-4094 | SHEET 1 OF 1 |
| <b>8522 LBS. W/COVERS</b>    | <b>NOTED</b>             |   | <b>PART NUMBER: PB16-72-72-48-RSG</b>  |  |              |