

BOLT-DOWN ALUMINUM FRAME & HA COVER
~297 LBS
P/N: 50-114-HA

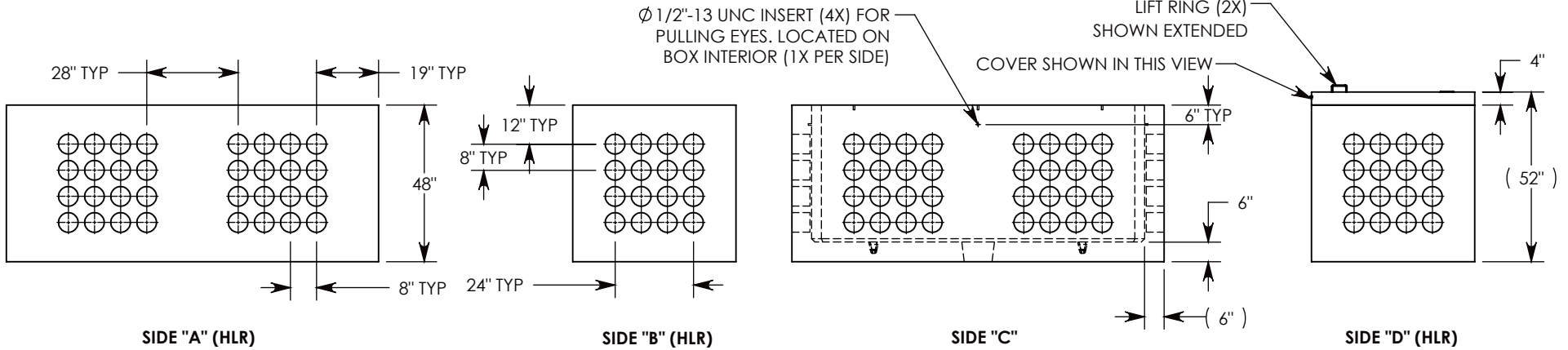
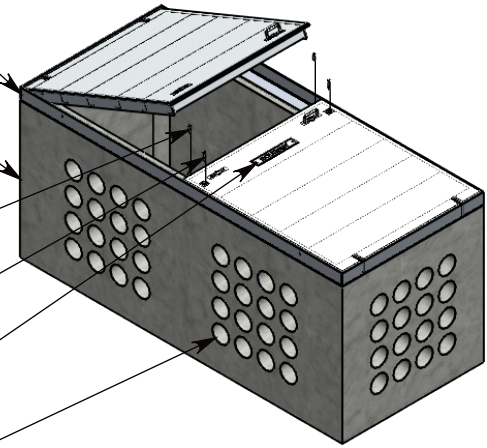
CONCRETE PULL BOX
~7869 LBS
P/N: PB166-50-114-48

1/2-13 UNC X 1.5" LG HEX HD BOLT (6X)
P/N: HHB.5-1.5

3/8-16 UNC X 2.5" LG HEX HD BOLT (2X)
P/N: HHB.38-2.5

ALUM ID PLATE
"CONCAST"
P/N: LTR-ID

CON-DUCT TERMINATIONS ARE CAST INTO BOX SIDEWALLS. SETS OF 16 ON EACH SIDE. THEY FIT UP TO 6" PVC PIPE. TO ACCESS THE HOLES, BREAK THE PLASTIC SEAL



NOTE 1: FOR ADDED SECURITY, PENTA HEAD (P/N: PTA.38-2.5) OR SURELOCK BOLT (P/N: SL.38-2.5) CAN BE ADDED

PEDESTRIAN RATED - 200 LB. PER SQ. FOOT

DRAWN BY: SAMUEL CALLAHAN	
DATE: 7/15/2019	REVISION LEVEL: A
WEIGHT: 8168 LBS.	MATERIAL: NOTED

1010 NORTH STAR DRIVE
P.O. BOX 69
ZUMBROTA, MN 55992-0069

DESCRIPTION: CONCRETE PULL BOX W/ HA COVER		
DIMENSIONS ARE IN INCHES TOLERANCES: FRACTIONAL: ± 1/8" ANGULAR: ± 2°	CONTACT INFORMATION: EMAIL: INFO@CONCASTINC.COM PHONE: (507) 732-4095 FAX: (507) 732-4094	SHEET 1 OF 1
PART NUMBER: PB166-50-114-48-HA		