

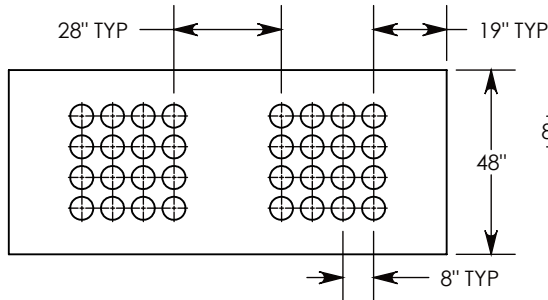
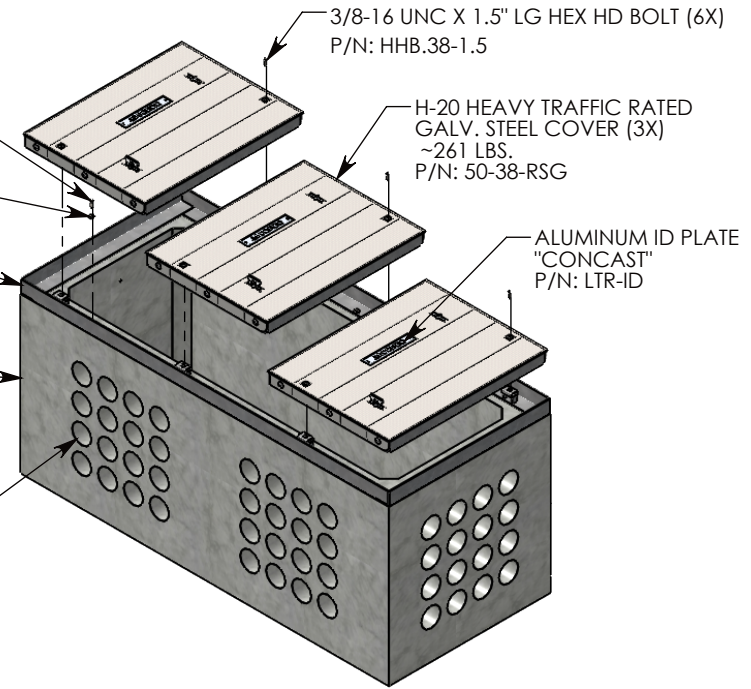
1/2-13 UNC X 1.5" LG HEX HD BOLT (6X)  
 P/N: HHB.5-1.5

1/2" FENDER WASHER - 1-3/8" OD (6X)  
 P/N: WSR.5-1.38

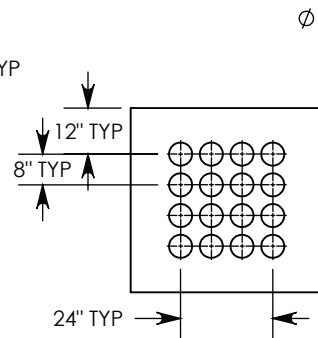
BOLT DOWN GALV. STEEL FRAME  
 ~ 175 LBS.  
 P/N: 50-114-FRM

CONCRETE PULL BOX  
 ~7869 LBS  
 P/N: PB166-50-114-48

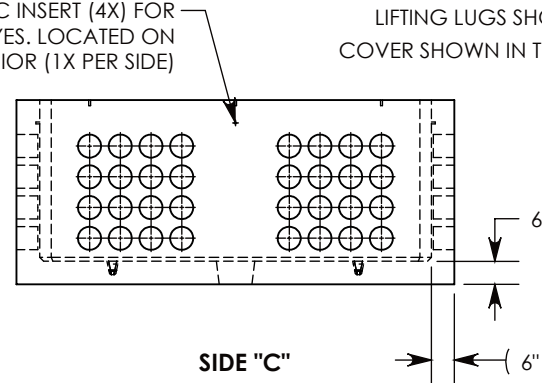
CON-DUCT TERMINATIONS ARE CAST INTO BOX SIDEWALLS. SETS OF 16 ON EACH SIDE. THEY FIT UP TO 6" PVC PIPE. TO ACCESS THE HOLES, BREAK THE PLASTIC SEAL



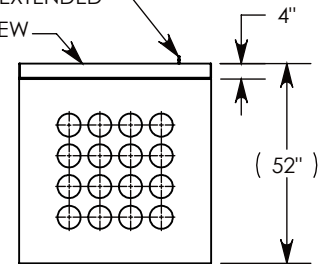
SIDE "A" (HLR)



SIDE "B" (HLR)



SIDE "C"



SIDE "D" (HLR)

NOTE 1: FOR ADDED SECURITY, PENTA HEAD (P/N: PTA.38-1.5) OR SURELOCK BOLTS (P/N: SL.38-1.5) CAN BE ADDED

AASHTO H-20 RATED - 32,000 LB. SINGLE AXLE LOAD

<b>DRAWN BY: ROBIN FLINT</b>	
<b>CREATED DATE: 6/24/2011</b>	<b>REVISION LEVEL: D</b>
<b>SAVED DATE: 9/10/2021</b>	<b>SAVED BY: scallahan</b>
<b>WEIGHT: 8828 LBS.</b>	<b>MATERIAL: NOTED</b>

1010 NORTH STAR DRIVE  
 P.O. BOX 69  
 ZUMBROTA, MN 55992-0069

<b>DESCRIPTION:</b> <b>CONCRETE PULL BOX W/ RSG COVERS</b>	
DIMENSIONS ARE IN INCHES TOLERANCES: FRACTIONAL: ± 1/8" ANGULAR: ± 2°	CONTACT INFORMATION: EMAIL: INFO@CONCASTINC.COM PHONE: (507) 732-4095 FAX: (507) 732-4094
<b>PART NUMBER:</b> <b>PB166-50-114-48-RSG</b>	