

3/8-16 UNC X 1.5" LG HEX HD BOLT (4X)  
P/N: HHB.38-1.5

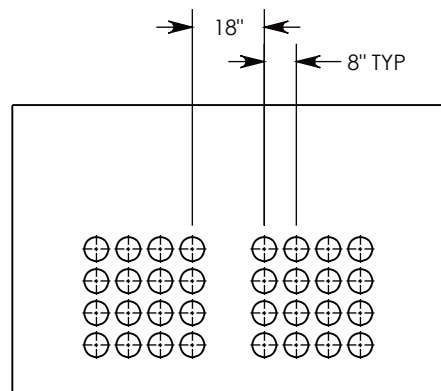
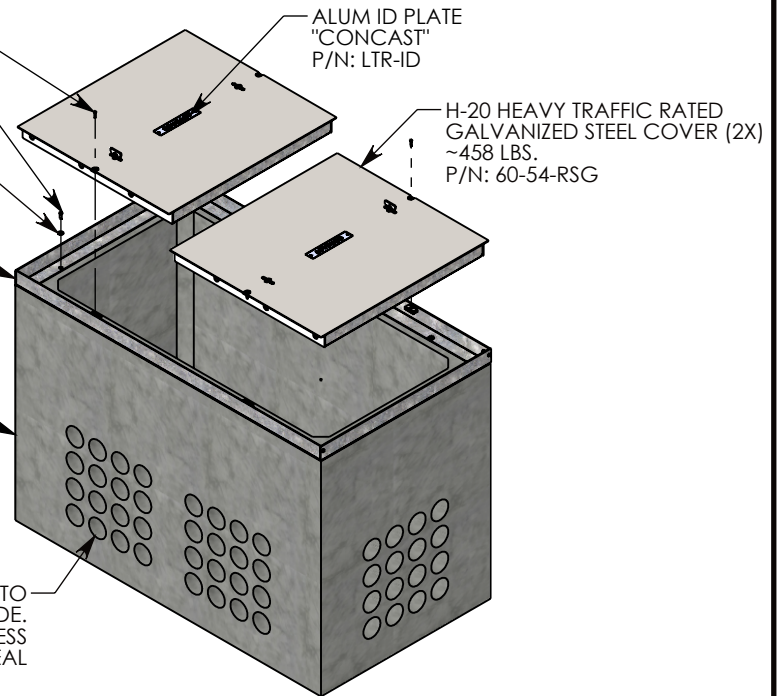
1/2-13 UNC X 1.5" LG HEX HD BOLT (8X)  
P/N: HHB.5-1.5

1/2" FENDER WASHER - 1-3/8" OD (8X)  
P/N: WSR.5-1.38

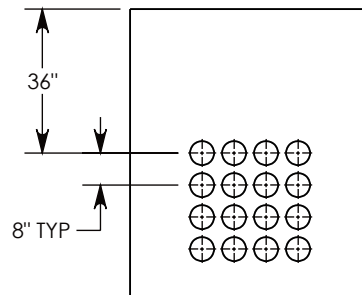
BOLT DOWN GALV. STEEL FRAME  
~206 LBS  
P/B: 60-108-FRM

CONCRETE PULL BOX  
~12132 LBS  
P/N: PB166-60-108-72

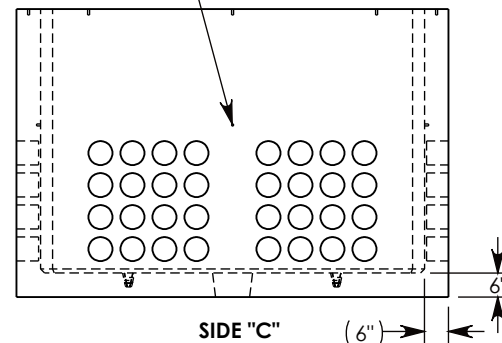
CON-DUCT TERMINATIONS ARE CAST INTO BOX SIDEWALLS. SETS OF 16 ON EACH SIDE. THEY FIT UP TO 6" PVC PIPE. TO ACCESS THE HOLES, BREAK THE PLASTIC SEAL



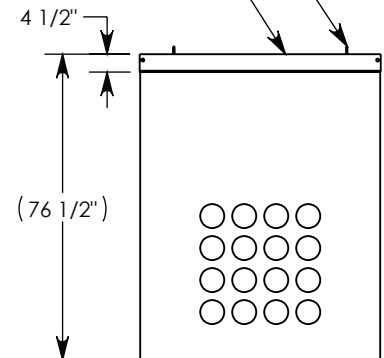
SIDE "A" (HLR)



SIDE "B" (HLR)



SIDE "C"



SIDE "D" (HLR)

Ø 1/2"-13 UNC INSERT (4X) FOR PULLING EYES. LOCATED ON BOX INTERIOR (1X PER SIDE)

LIFTING LUG SHOWN EXTENDED  
COVER SHOWN IN THIS VIEW

NOTE 1: FOR ADDED SECURITY, PENTA HEAD (P/N: PTA.38-1.5) OR SURELOCK BOLTS (P/N: SL.38-1.25) CAN BE ADDED

AASHTO H-20 RATED – 32,000 LB. SINGLE AXLE LOAD

**DRAWN BY: NATHAN KOPPINGER**

**CREATED DATE: 11/29/2022**    **REVISION LEVEL: 0**

**SAVED DATE: 12/7/2022**    **SAVED BY: nkoppinger**

**WEIGHT: 13241 LBS.**    **MATERIAL: NOTED**



**DESCRIPTION:**

**PULL BOX W. GALV. STEEL COVERS**

DIMENSIONS ARE IN INCHES  
TOLERANCES:  
FRACTIONAL: ± 1/8"  
ANGULAR: ± 2°

CONTACT INFORMATION:  
EMAIL: INFO@CONCASTINC.COM  
PHONE: (507) 732-4095  
FAX: (507) 732-4094

SHEET 1 OF 1

**PART NUMBER:**

**PB166-60-108-72-RSG**