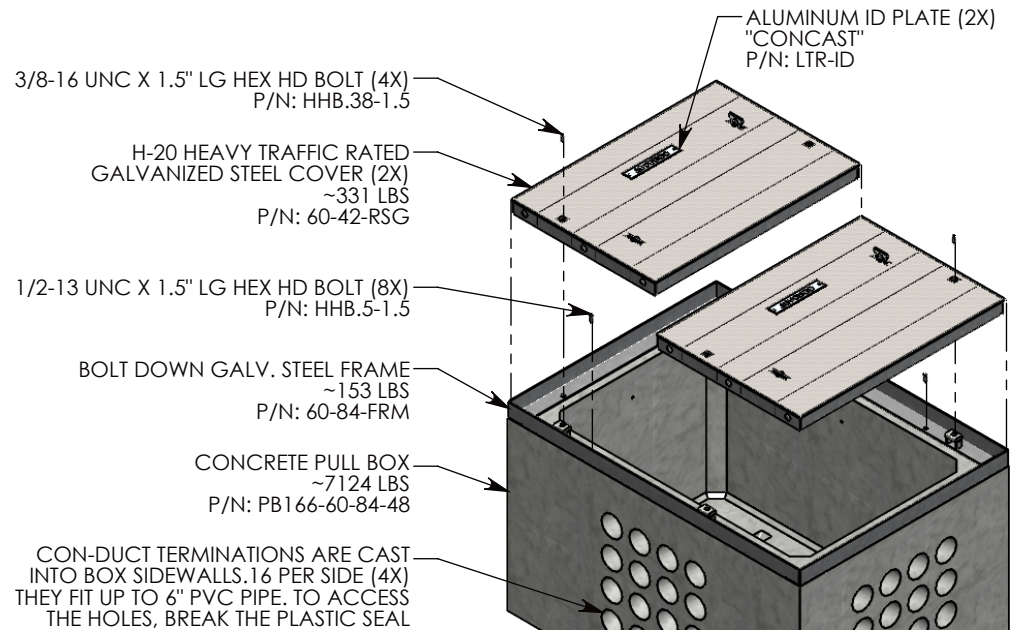
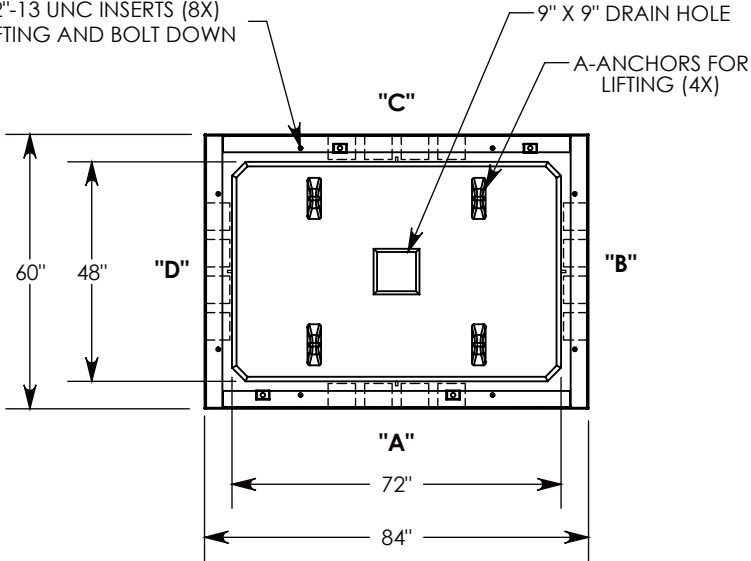
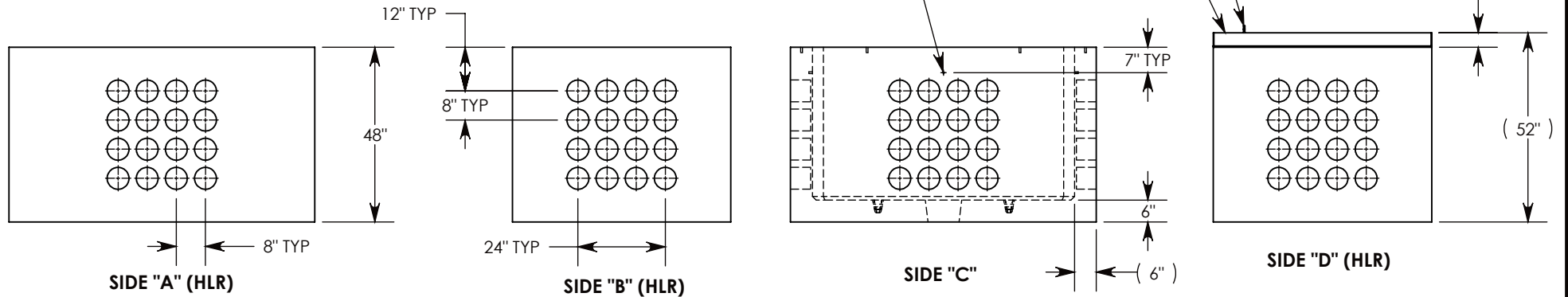


REV B - MKM - 8/14/18 - UPDATED HARDWARE FOR BOLT DOWN
 REV C - SIC - 6/6/2019 - UPDATED SURELOCK NOTE

Ø 1/2"-13 UNC INSERTS (8X)
 FOR LIFTING AND BOLT DOWN



Ø 1/2"-13 UNC INSERT (4X) FOR
 PULLING EYES. LOCATED ON
 BOX INTERIOR (1X PER SIDE)



NOTE 1: FOR ADDED SECURITY, PENTA HEAD (P/N: PTA.38-1.5) OR SURELOCK BOLTS (P/N: SL.38-1.25) CAN BE ADDED

AASHTO H-20 RATED - 32,000 LB. SINGLE AXLE LOAD

DRAWN BY: ROBIN FLINT		 1010 NORTH STAR DRIVE P.O. BOX 69 ZUMBROTA, MN 55992-0069	DESCRIPTION:		
DATE: 6/6/2019	REVISION LEVEL: C		PULL BOX W/GALV. STEEL COVERS		
WEIGHT:	MATERIAL:		DIMENSIONS ARE IN INCHES TOLERANCES: FRACTIONAL: ± 1/8" ANGULAR: ± 2°	CONTACT INFORMATION: EMAIL: INFO@CONCASTINC.COM PHONE: (507) 732-4095 FAX: (507) 732-4094	SHEET 1 OF 1
7940 LBS. W/COVERS	NOTED		PART NUMBER: PB166-60-84-48-RSG		