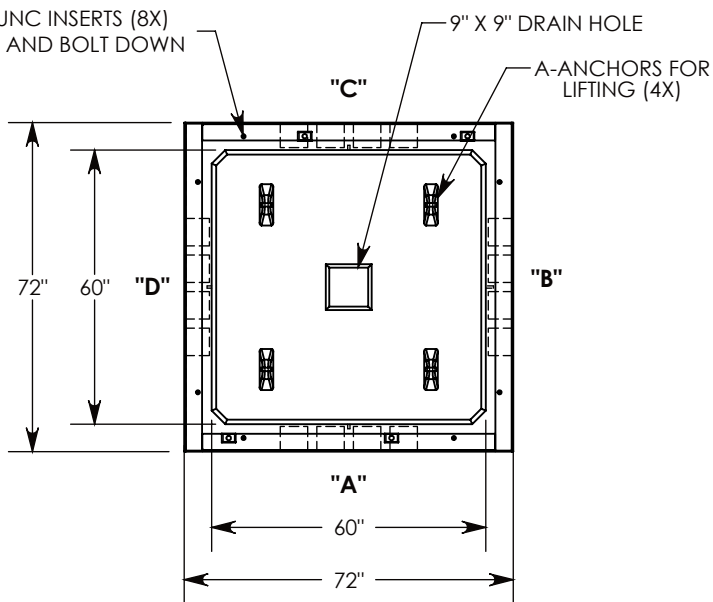


Ø 1/2"-13 UNC INSERTS (8X)
 FOR LIFTING AND BOLT DOWN



3/8-16 UNC X 1.5" LG HEX HD BOLT (4X)
 P/N: HHB.38-1.5

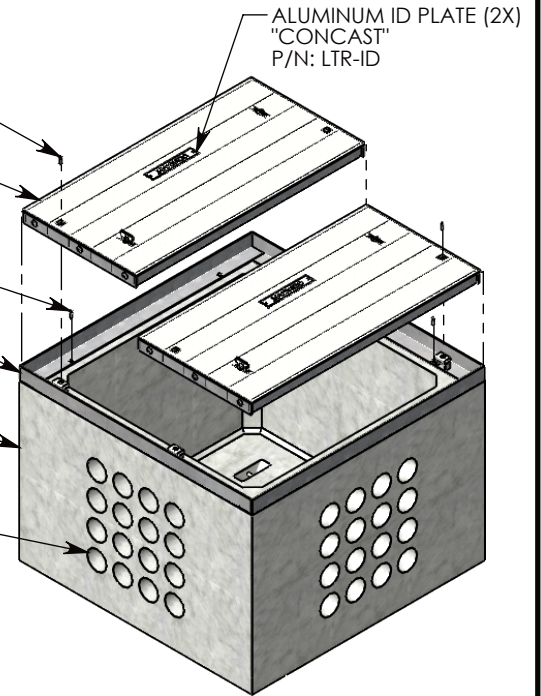
H-20 HEAVY TRAFFIC RATED
 GALVANIZED STEEL COVER (2X)
 ~360 LBS
 P/N: 72-36-RSG

1/2-13 UNC X 1.5" LG HEX HD BOLT (8X)
 P/N: HHB.5-1.5

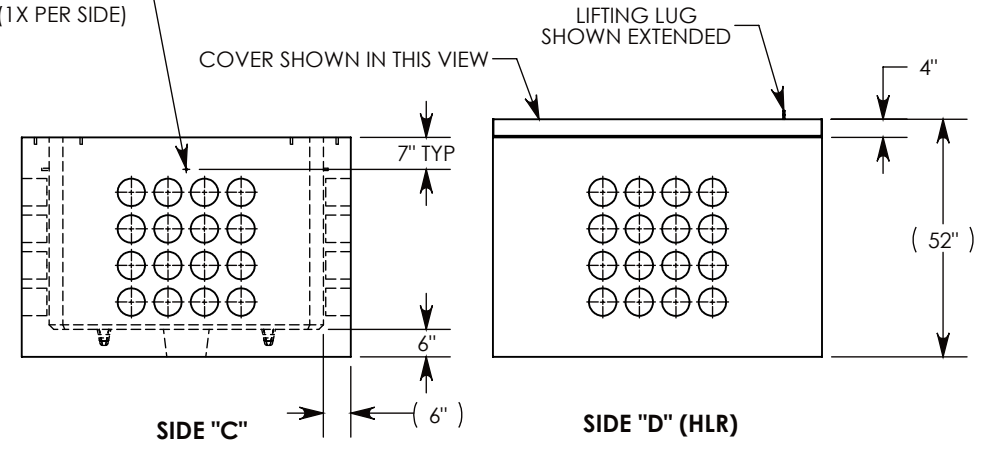
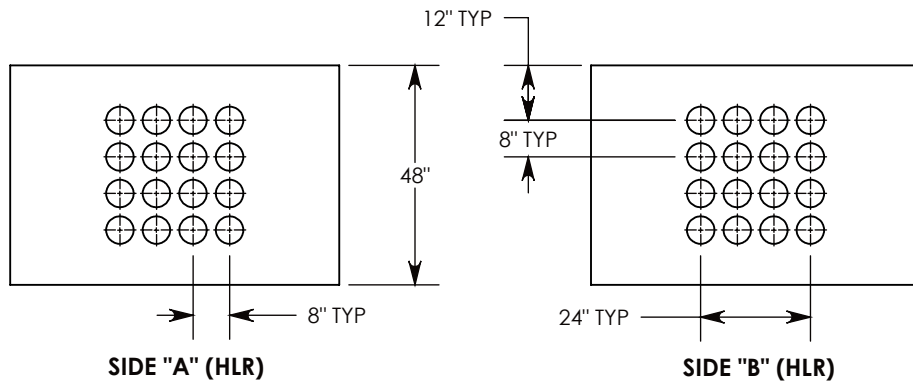
BOLT DOWN GALV. STEEL FRAME
 ~153 LBS
 P/N: 72-72-FRM

CONCRETE PULL BOX
 ~7195 LBS
 P/N: PB166-72-72-48

CON-DUCT TERMINATIONS ARE CAST
 INTO BOX SIDEWALLS. 16 PER SIDE (4X)
 THEY FIT UP TO 6" PVC PIPE. TO ACCESS
 THE HOLES, BREAK THE PLASTIC SEAL



Ø .50-13 UNC INSERT (4X) FOR
 PULLING EYES. LOCATED ON
 BOX INTERIOR (1X PER SIDE)



NOTE 1: FOR ADDED SECURITY, PENTA HEAD (P/N: PTA.38-1.5) OR SURELOCK BOLTS (P/N: SL.38-1.25) CAN BE ADDED

AASHTO H-20 RATED - 32,000 LB. SINGLE AXLE LOAD

DRAWN BY: ROBIN FLINT

DATE: 6/7/2019

REVISION LEVEL: C

WEIGHT:

MATERIAL:

8069 LBS. W/COVERS

NOTED



DESCRIPTION:

PULL BOX W/GALV. STEEL COVERS

DIMENSIONS ARE IN INCHES
 TOLERANCES:
 FRACTIONAL: ± 1/8"
 ANGULAR: ± 2°

CONTACT INFORMATION:
 EMAIL: INFO@CONCASTINC.COM
 PHONE: (507) 732-4095
 FAX: (507) 732-4094

SHEET 1 OF 1

PART NUMBER:

PB166-72-72-48-RSG