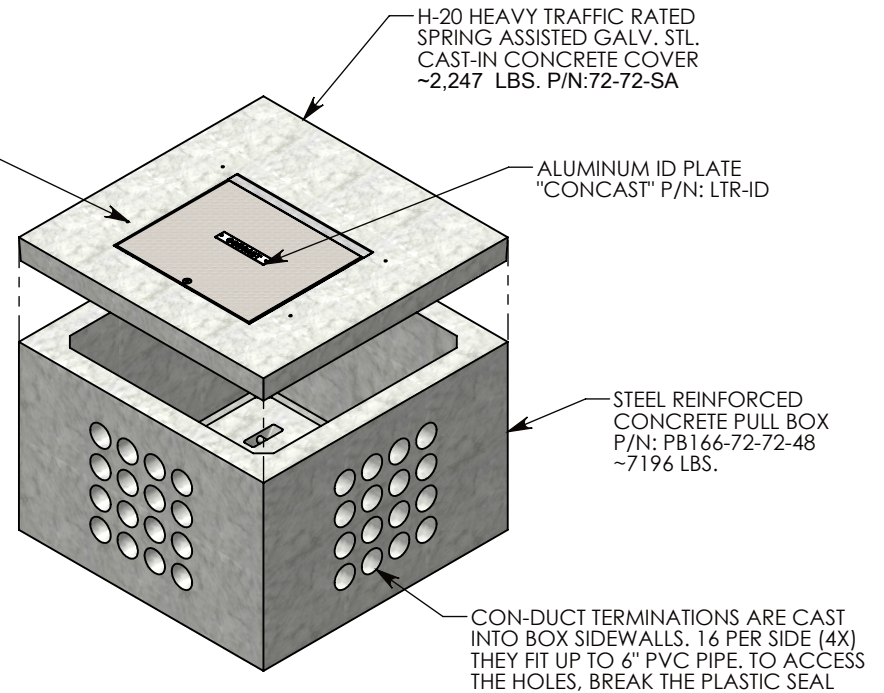
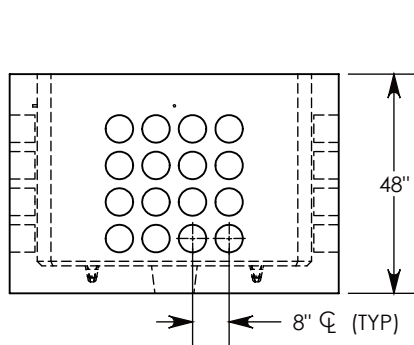


INSERTS FOR LIFTING (4X)

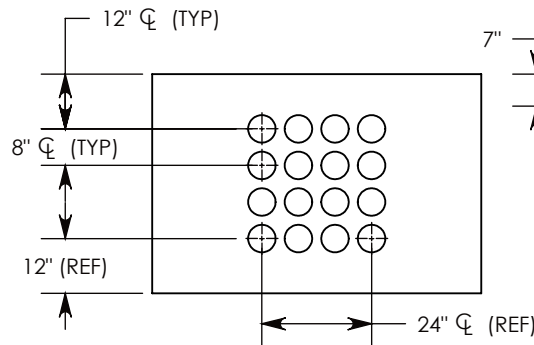
A-ANCHORS FOR LIFTING (4X)



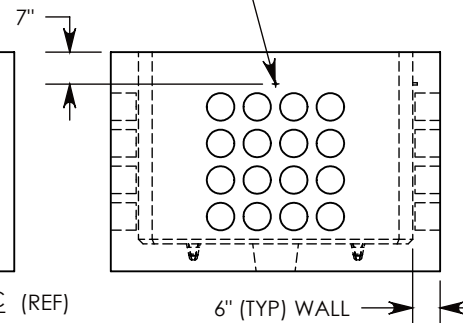
Ø-13 UNC INSERT (4X) FOR PULLING EYES. LOCATED ON BOX INTERIOR (1X PER SIDE)



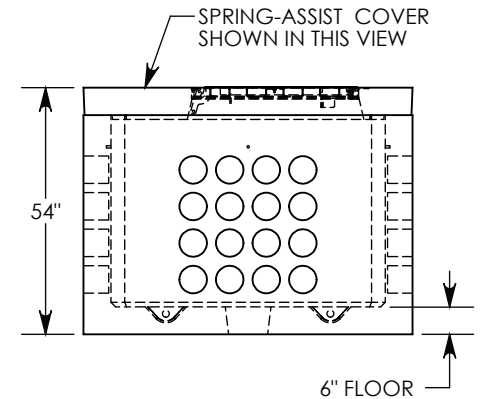
SIDE "A"



SIDE "B" (HLR)



SIDE "C"



SIDE "D"

H-20 RATED - 32,000 LB. PER AXLE LOAD.

DRAWN BY: ROBIN FLINT

DATE: 1/15/2016

REVISION LEVEL: 0

WEIGHT:

9443 LBS. W/COVER

MATERIAL:

NOTED



DESCRIPTION:

**PULL BOX W/SPRING-ASSIST RSG COVER**

DIMENSIONS ARE IN INCHES

TOLERANCES:  
 FRACTIONAL:  $\pm 1/8"$   
 ANGULAR:  $\pm 2^\circ$

CONTACT INFORMATION:

EMAIL: INFO@CONCASTINC.COM  
 PHONE: (507) 732-4095  
 FAX: (507) 732-4094

SHEET 1 OF 1

PART NUMBER:

**PB166-72-72-48-SA**