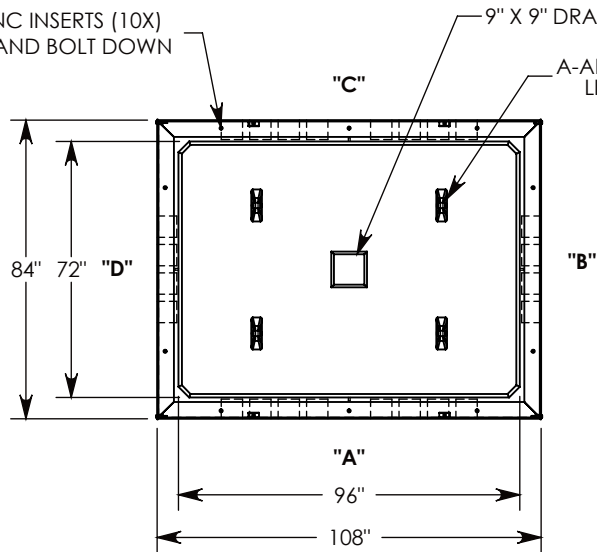


Ø 1/2"-13 UNC INSERTS (10X)  
FOR LIFTING AND BOLT DOWN



3/8-16 UNC X 1.5" LG HEX HD BOLT (4X)  
P/N: HHB.38-1.5

ALUMINUM ID PLATE (2X)  
"CONCAST"  
P/N: LTR-ID

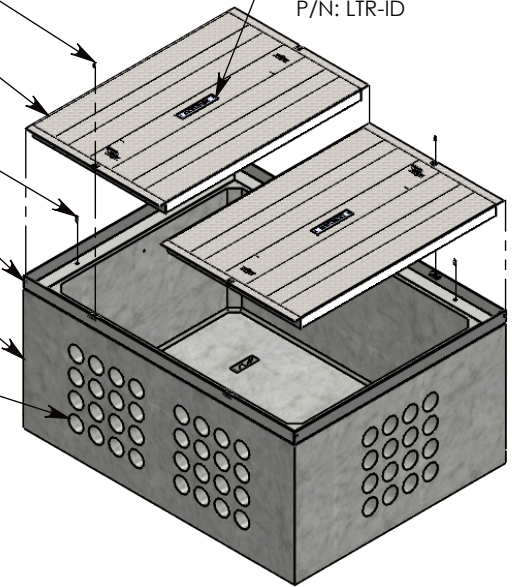
H-20 HEAVY TRAFFIC RATED  
GALVANIZED STEEL COVER (2X)  
~633 LBS  
P/N: 84-54-RSG

1/2-13 UNC X 1.5" LG HEX HD BOLT (10X)  
P/N: HHB.5-1.5

BOLT DOWN GALV. STEEL FRAME  
~153 LBS  
P/N: 84-108-FRM

CONCRETE PULL BOX  
~10684 LBS  
P/N: PB166-84-108-48

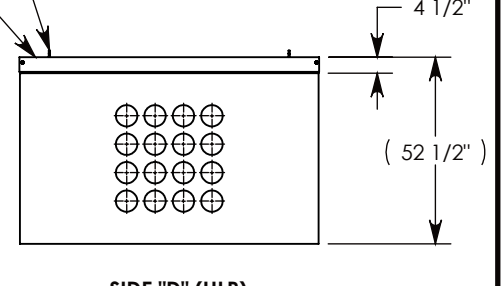
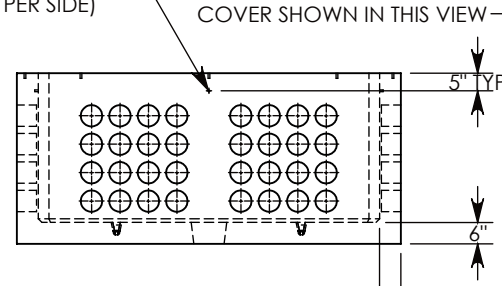
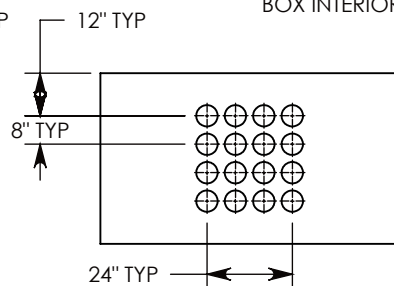
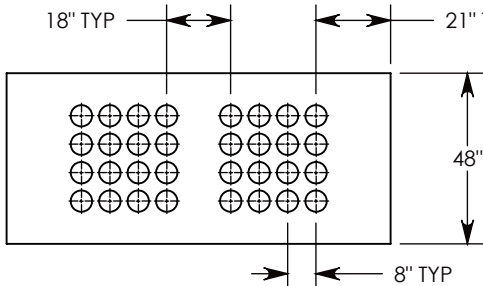
CON-DUCT TERMINATIONS ARE CAST INTO  
BOX SIDEWALLS. SETS OF 16 ON EACH SIDE.  
THEY FIT UP TO 6" PVC PIPE. TO ACCESS  
THE HOLES, BREAK THE PLASTIC SEAL



Ø 1/2"-13 UNC INSERT (4X) FOR  
PULLING EYES. LOCATED ON  
BOX INTERIOR (1X PER SIDE)

LIFTING RING  
SHOWN EXTENDED

COVER SHOWN IN THIS VIEW



NOTE 1: FOR ADDED SECURITY, PENTA HEAD (P/N: PTA.38-1.5) OR SURELOCK BOLTS (P/N: SL.38-1.25) CAN BE ADDED

AASHTO H-20 RATED – 32,000 LB. SINGLE AXLE LOAD

<b>DRAWN BY:</b> MALACHI MLINAR	
<b>DATE:</b> 6/12/2019	<b>REVISION LEVEL:</b> B
<b>WEIGHT:</b> 12183 LBS.	<b>MATERIAL:</b> NOTED



1010 NORTH STAR DRIVE  
P.O. BOX 69  
ZUMBROTA, MN 55992-0069

<b>DESCRIPTION:</b> <b>PULL BOX W/ ALUMINUM COVER</b>		
DIMENSIONS ARE IN INCHES TOLERANCES: FRACTIONAL: ± 1/8" ANGULAR: ± 2°	CONTACT INFORMATION: EMAIL: INFO@CONCASTINC.COM PHONE: (507) 732-4095 FAX: (507) 732-4094	SHEET 1 OF 1
<b>PART NUMBER:</b> <b>PB166-84-108-48-RSG</b>		