

3/8-16 UNC X 2.5" LG HEX HD BOLT (2X)  
P/N: HHB.38-2.5

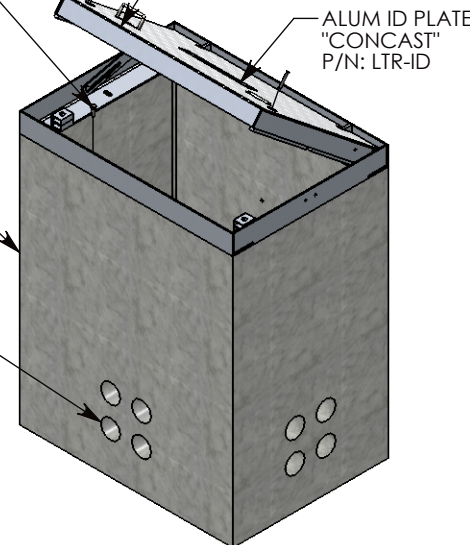
BOLT DOWN ALUMINUM FRAME & HALT COVER  
~117 LBS.  
P/N: 32-44-HALT

1/2-13 UNC X 1.5" LG HEX HD BOLT (4X)  
P/N: HHB.5-1.5

ALUM ID PLATE "CONCAST"  
P/N: LTR-ID

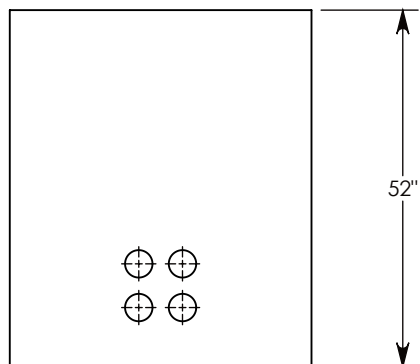
CONCRETE PULL BOX  
~2517 LBS  
P/N: PB4-32-44-52

CON-DUCT TERMINATIONS ARE CAST INTO BOX SIDEWALLS. SETS OF 4 ON EACH SIDE. THEY FIT UP TO 4" PVC PIPE. TO ACCESS THE HOLES, BREAK THE PLASTIC SEAL

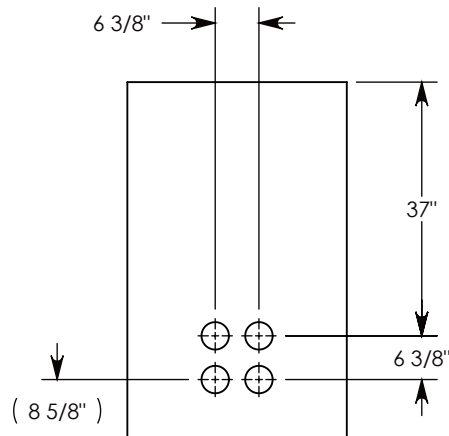


Ø 1/2"-13 UNC INSERT (4X) FOR PULLING EYES. LOCATED ON BOX INTERIOR (1X PER SIDE)

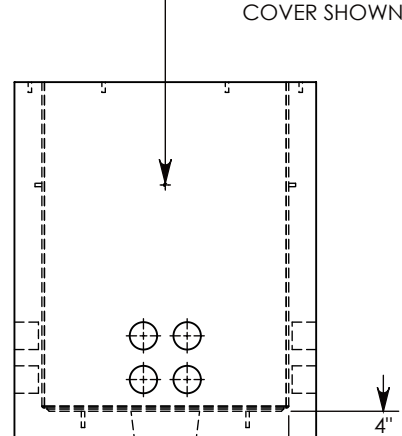
LIFT RING SHOWN EXTENDED  
COVER SHOWN IN THIS VIEW



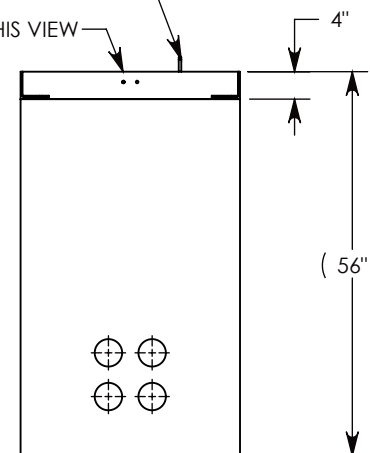
SIDE "A" (HLR)



SIDE "B" (HLR)



SIDE "C"



SIDE "D" (HLR)

NOTE 1: STANDARD DEPTH OF 52" IS SHOWN. OTHER DEPTHS ARE AVAILABLE UPON REQUEST.

NOTE 2: FOR PVC SIZES SMALLER THAN 4", USE CONCAST RC41 (REDUCING COUPLER).

NOTE 3: FOR ADDED SECURITY, PENTA HEAD (P/N: PTA.38-2.5) OR SURELOCK BOLTS (P/N: SL.38-2.5) CAN BE ADDED

AASHTO H-10 RATED - 16,000 LB. SINGLE AXLE LOAD

DRAWN BY: <b>JESSE GUTTING</b>	
CREATED DATE: <b>4/20/2020</b>	REVISION LEVEL: <b>0</b>
SAVED DATE: <b>4/22/2020</b>	SAVED BY: <b>jgutting</b>
WEIGHT: <b>2635 LBS.</b>	MATERIAL: <b>NOTED</b>

1010 NORTH STAR DRIVE  
P.O. BOX 69  
ZUMBROTA, MN 55992-0069

DESCRIPTION: <b>PULL BOX W/ HINGED ALUMINUM COVER</b>	
DIMENSIONS ARE IN INCHES TOLERANCES: FRACTIONAL: ± 1/8" ANGULAR: ± 2°	CONTACT INFORMATION: EMAIL: <a href="mailto:INFO@CONCASTINC.COM">INFO@CONCASTINC.COM</a> PHONE: (507) 732-4095 FAX: (507) 732-4094
PART NUMBER: <b>PB4-32-44-52-HALT</b>	