

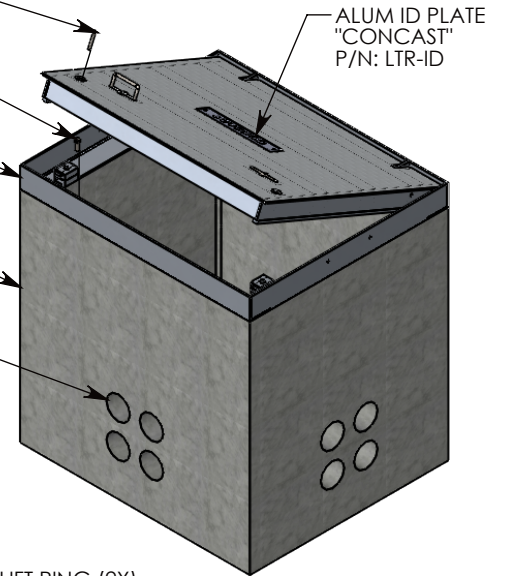
3/8-16 UNC X 2.5\"/>

1/2-13 UNC X 1.5\"/>

BOLT-DOWN ALUMINUM FRAME & HALT COVER
~129 LBS
P/N: 38-44-HALT

CONCRETE PULL BOX
~2287 LBS
P/N: PB4-38-44-42

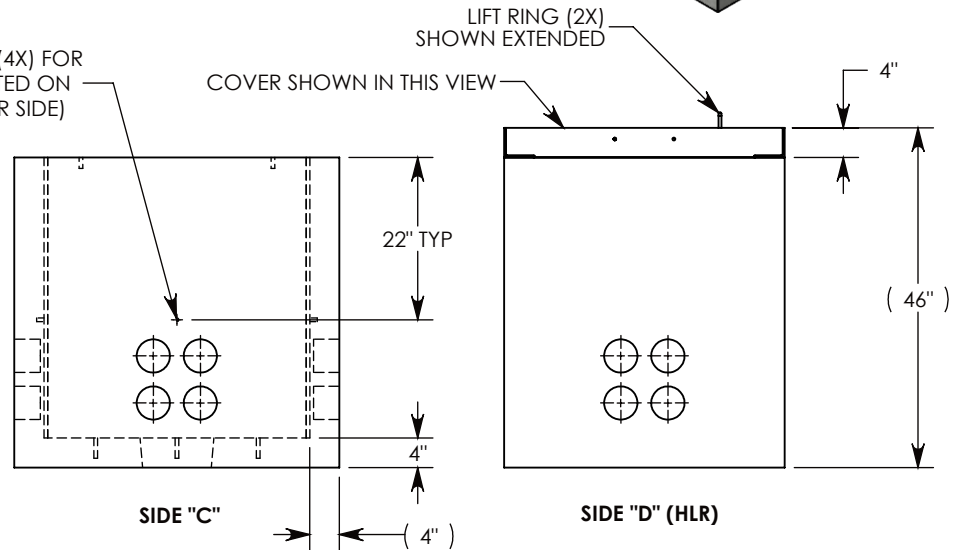
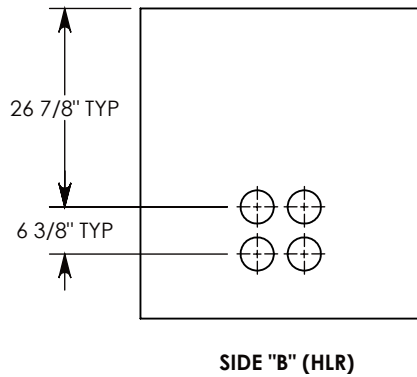
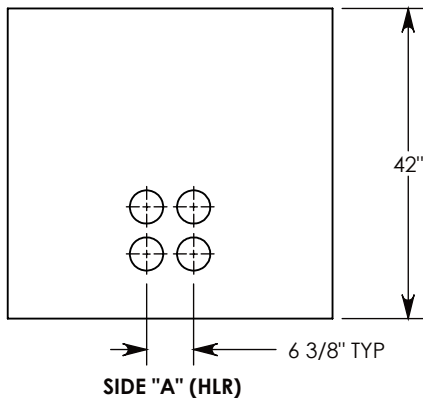
CON-DUCT TERMINATIONS ARE CAST INTO BOX SIDEWALLS. 4 PER SIDE THEY FIT UP TO 4\"/>



Ø 1/2\"/>

Ø 1/2\"/>

Ø 1/2\"/>



NOTE 1: FOR PVC SIZES SMALLER THAN 4\", USE CONCAST RC41 (REDUCING COUPLER).

NOTE 2: FOR ADDED SECURITY, PENTA HEAD (P/N: PTA.38-2.5) OR SURELOCK BOLTS (P/N: SL.38-2.5) CAN BE ADDED

AASHTO H-10 RATED – 16,000 LB. SINGLE AXLE LOAD

DRAWN BY: MALACHI MLINAR	
DATE: 3/22/2019	REVISION LEVEL: 0
WEIGHT: 2417 LBS.	MATERIAL: NOTED



1010 NORTH STAR DRIVE
P.O. BOX 69
ZUMBROTA, MN 55992-0069

DESCRIPTION: CONCRETE PULL BOX W/ HALT COVER	
DIMENSIONS ARE IN INCHES TOLERANCES: FRACTIONAL: ± 1/8" ANGULAR: ± 2°	CONTACT INFORMATION: EMAIL: INFO@CONCASTINC.COM PHONE: (507) 732-4095 FAX: (507) 732-4094
PART NUMBER: PB4-38-44-42-HALT	