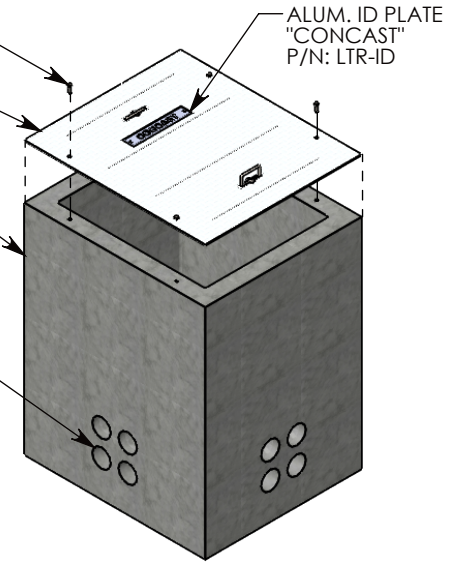


1/2-13 UNC X 1.5" LG HEX HD BOLT (4X)  
P/N: HHB.5-1.5

PEDESTRIAN RATED  
ALUMINUM COVER  
~50 LBS  
P/N: 38-44-A

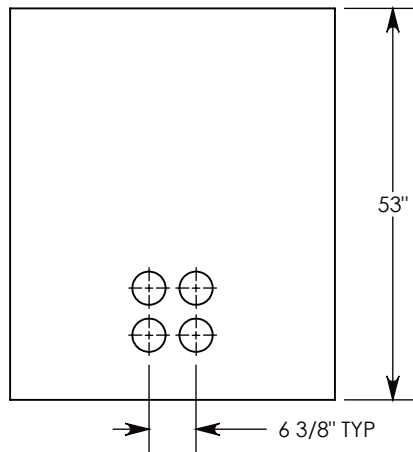
CONCRETE PULL BOX  
~2821 LBS  
P/N: PB4-38-44-53

CON-DUCT TERMINATIONS ARE CAST  
INTO BOX SIDEWALLS. 4 PER SIDE (4X)  
THEY FIT UP TO 4" PVC PIPE. TO ACCESS  
THE HOLES, BREAK THE PLASTIC SEAL

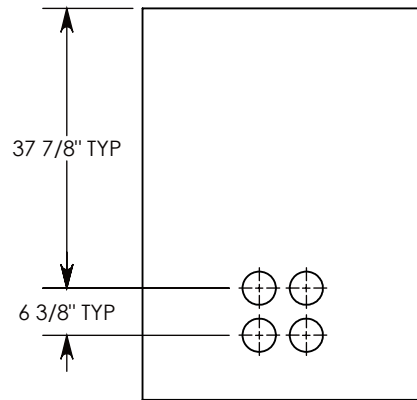


Ø 1/2"-13 UNC INSERT (4X) FOR  
PULLING EYES. LOCATED ON  
BOX INTERIOR (1X PER SIDE)

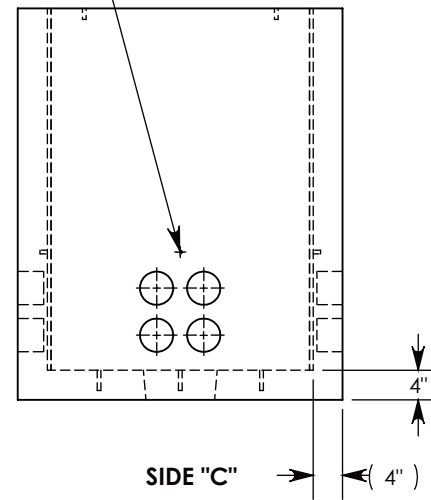
LIFT RING SHOWN EXTENDED  
COVER SHOWN IN THIS VIEW



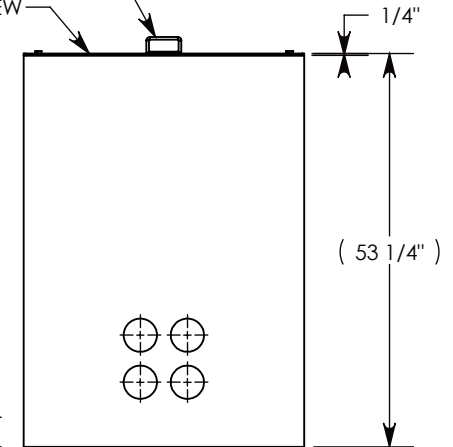
SIDE "A" (HLR)



SIDE "B" (HLR)



SIDE "C"



SIDE "D" (HLR)

NOTE 1: FOR PVC SIZES SMALLER THAN 4", USE CONCAST RC41 (REDUCING COUPLER)  
 NOTE 2: FOR ADDED SECURITY, PENTA HEAD (P/N: PTA.5-1.5) CAN BE ADDED

PEDESTRIAN RATED - 200 LB. PER SQ. FOOT

DRAWN BY: **ROBIN FLINT**

CREATED DATE: **4/16/2010**

REVISION LEVEL: **C**

SAVED DATE: **2/19/2020**

SAVED BY: **scallahan**

WEIGHT:  
**2871 LBS.**

MATERIAL:  
**NOTED**



DESCRIPTION:

**CONCRETE PULL BOX W/AL COVER**

DIMENSIONS ARE IN INCHES  
 TOLERANCES:  
 FRACTIONAL: ± 1/8"  
 ANGULAR: ± 2°

CONTACT INFORMATION:  
 EMAIL: [INFO@CONCASTINC.COM](mailto:INFO@CONCASTINC.COM)  
 PHONE: (507) 732-4095  
 FAX: (507) 732-4094

SHEET 1 OF 1

PART NUMBER:

**PB4-38-44-53-A**