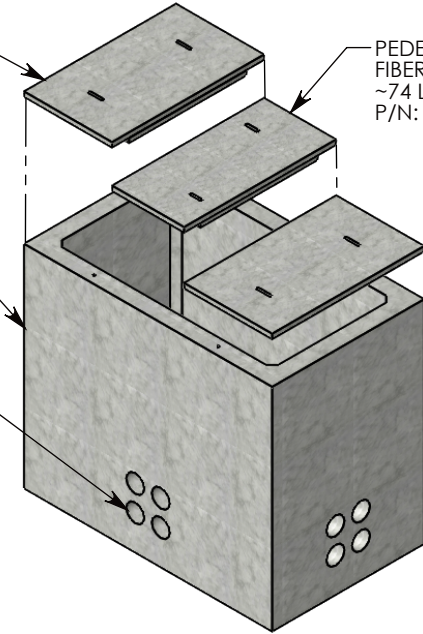


PEDESTRIAN RATED
 FIBERCRETE COVER (2X)
 ~75 LBS EACH
 P/N: 38-22-FC

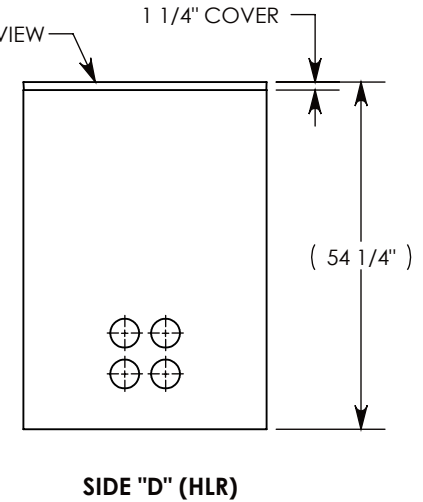
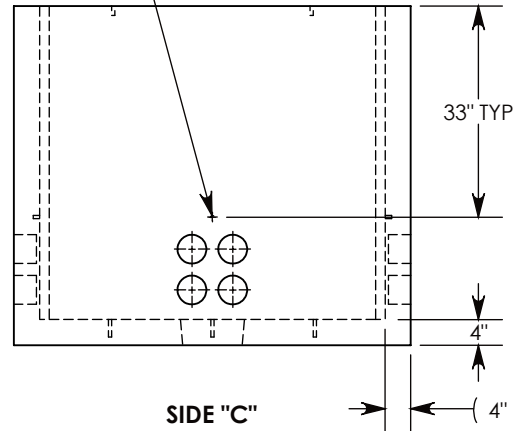
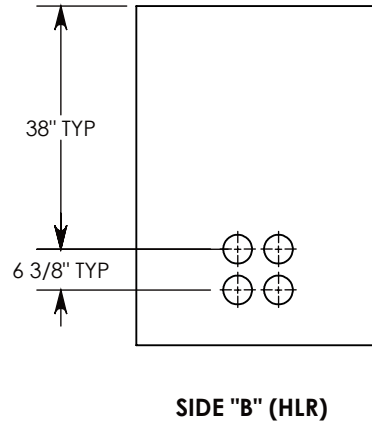
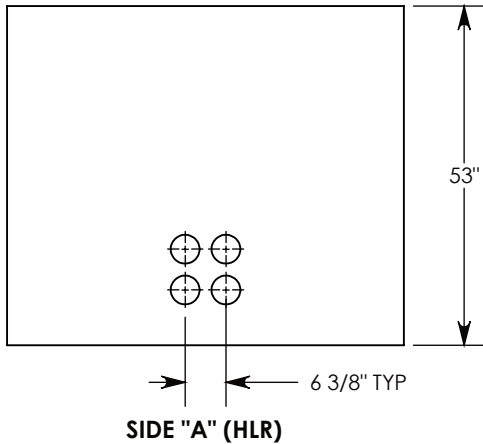
PEDESTRIAN RATED
 FIBERCRETE COVER
 ~74 LBS
 P/N: 38-18-FC

CONCRETE PULL BOX
 ~3640 LBS
 P/N: PB4-38-62-53

CON-DUCT TERMINATIONS ARE CAST
 INTO BOX SIDEWALLS. 4 PER SIDE (4X)
 THEY FIT UP TO 4" PVC PIPE. TO ACCESS
 THE HOLES, BREAK THE PLASTIC SEAL.



$\phi 1/2$ "-13 UNC INSERT (4X) FOR
 PULLING EYES. LOCATED ON
 BOX INTERIOR (1X PER SIDE)



NOTE 1: FOR PVC SIZES SMALLER THAN 4", USE CONCAST RC41 (REDUCING COUPLER).

PEDESTRIAN RATED - 200 LB. PER SQ. FOOT

DRAWN BY: ROBIN FLINT		 1010 NORTH STAR DRIVE P.O. BOX 69 ZUMBROTA, MN 55992-0069	DESCRIPTION:	
DATE: 5/24/2018	REVISION LEVEL: B		PULL BOX W/FIBERCRETE COVERS	
WEIGHT:	MATERIAL:		DIMENSIONS ARE IN INCHES TOLERANCES: FRACTIONAL: $\pm 1/8$ " ANGULAR: $\pm 2^\circ$	CONTACT INFORMATION: EMAIL: INFO@CONCASTINC.COM PHONE: (507) 732-4095 FAX: (507) 732-4094
3864 LBS. W/COVER	NOTED	PART NUMBER: PB4-38-62-53-FC		