

1/2-13 UNC X 1.5" LG HEX HD BOLT (6X)
 P/N: HHB.5-1.5

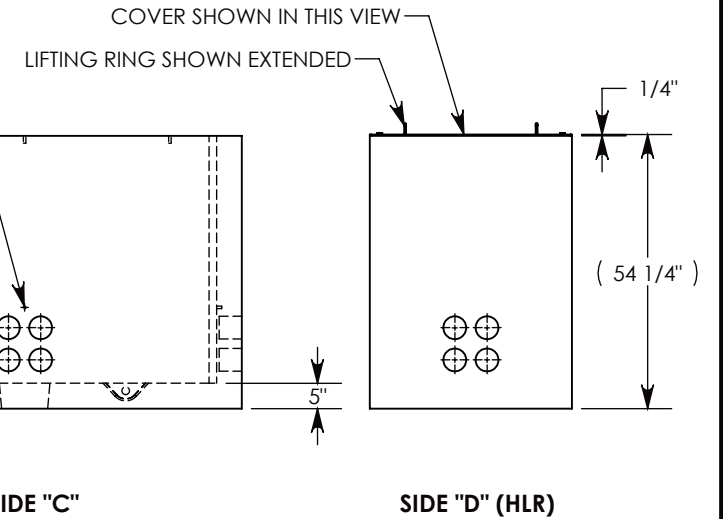
PEDESTRIAN RATED ALUMINUM COVER
 ~36 LBS.
 P/N: 40-29-A (2X)

PEDESTRIAN RATED ALUMINUM COVER
 ~39 LBS.
 P/N: 40-29-A-CTR

ALUM. ID PLATE (3X)
 "CONCAST"
 P/N: LTR-ID

CONCRETE PULL BOX
 ~5936 LBS
 P/N: PB4-40-86-54

CON-DUCT TERMINATIONS ARE CAST INTO BOX SIDEWALLS. 4 PER SIDE (4X) THEY FIT UP TO 4" PVC PIPE. TO ACCESS THE HOLES, BREAK THE PLASTIC SEAL.



SIDE "A" (HLR)

SIDE "B" (HLR)

SIDE "C"

SIDE "D" (HLR)

NOTE 1: FOR PVC SIZES SMALLER THAN 4", USE CONCAST RC41 (REDUCING COUPLER)
 NOTE 2: FOR ADDED SECURITY, PENTA HEAD BOLTS (P/N.5-1.5) CAN BE ADDED

PEDESTRIAN RATED - 200 LB. PER SQ. FOOT

DRAWN BY: ROBIN FLINT	
CREATED DATE: 4/16/2010	REVISION LEVEL: B
SAVED DATE: 2/26/2020	SAVED BY: scallahan
WEIGHT: 6049 LBS.	MATERIAL: NOTED



1010 NORTH STAR DRIVE
 P.O. BOX 69
 ZUMBROTA, MN 55992-0069

DESCRIPTION: CONCRETE PULL BOX W/AL. COVERS		SHEET 1 OF 1
DIMENSIONS ARE IN INCHES TOLERANCES: FRACTIONAL: ± 1/8" ANGULAR: ± 2°		
PART NUMBER: PB4-40-86-54-A		CONTACT INFORMATION: EMAIL: INFO@CONCASTINC.COM PHONE: (507) 732-4095 FAX: (507) 732-4094