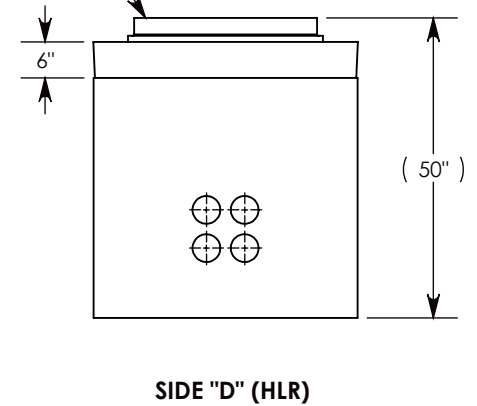
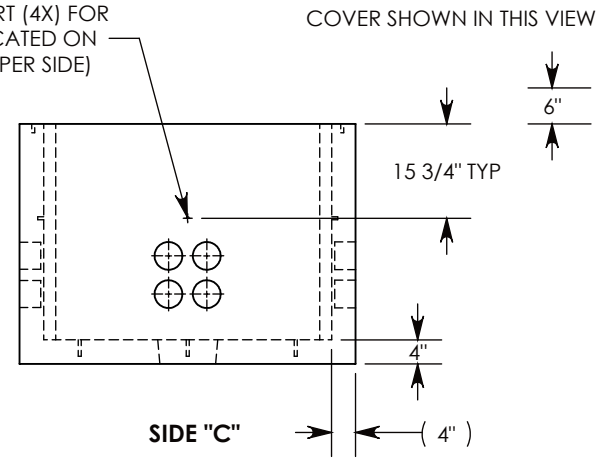
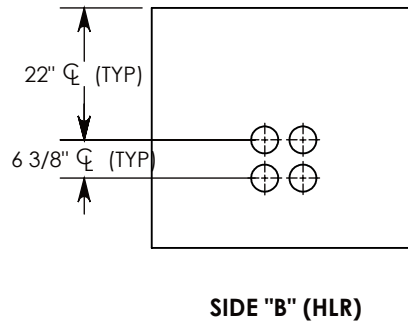
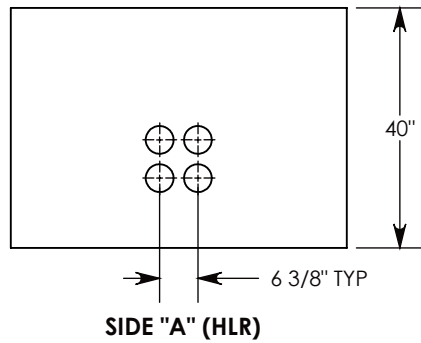


ϕ 1/2"-13 UNC INSERT (4X) FOR PULLING EYES. LOCATED ON BOX INTERIOR (1X PER SIDE)



NOTE 1: FOR PVC SIZES SMALLER THAN 4", USE CONCAST RC41 (REDUCING COUPLER).

AASHTO H-20 RATED – 32,000 LB. SINGLE AXLE LOAD

DRAWN BY: ROBIN FLINT		 1010 NORTH STAR DRIVE P.O. BOX 69 ZUMBROTA, MN 55992-0069	DESCRIPTION:	
DATE: 5/31/2018	REVISION LEVEL: B		PULL BOX W/ MANHOLE COVER	
4299 LBS. W/COVER	MATERIAL: NOTED		DIMENSIONS ARE IN INCHES TOLERANCES: FRACTIONAL: \pm 1/8" ANGULAR: \pm 2°	CONTACT INFORMATION: EMAIL: INFO@CONCASTINC.COM PHONE: (507) 732-4095 FAX: (507) 732-4094
WEIGHT:		PART NUMBER: PB4-44-56-40-MH		