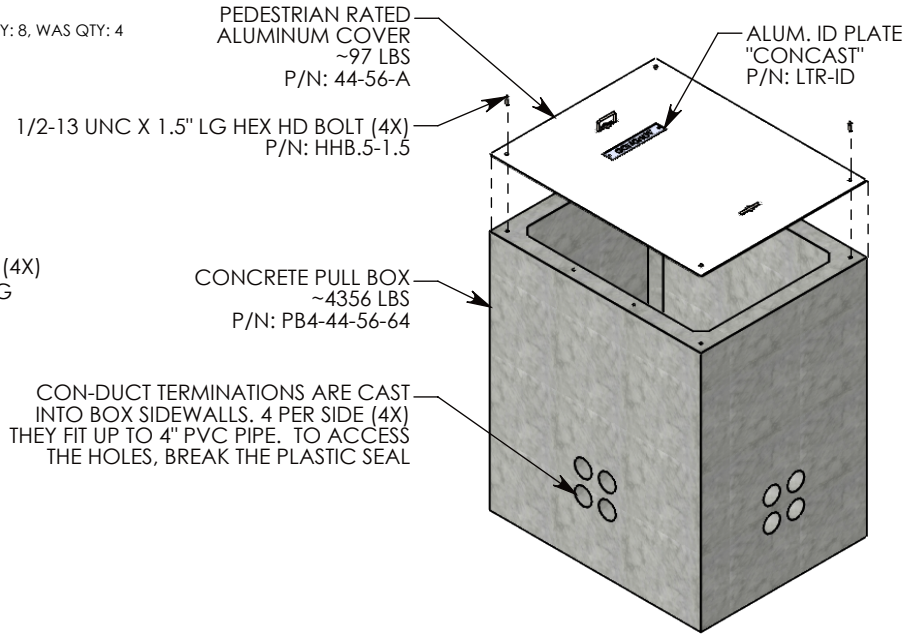
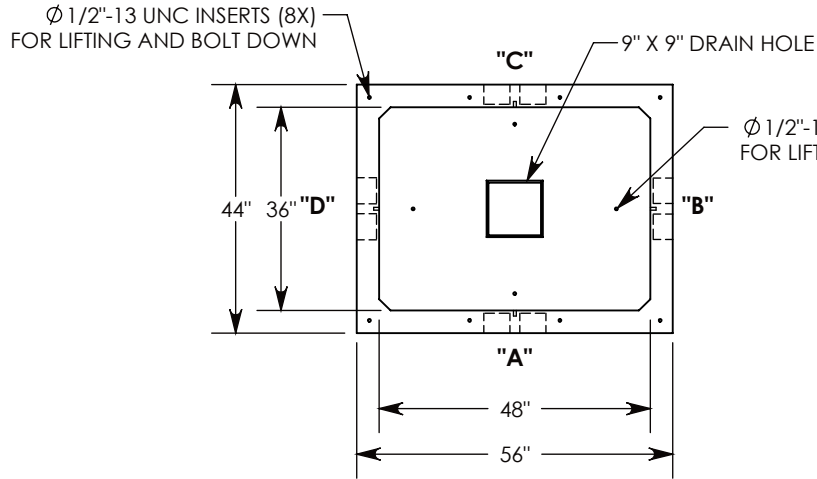


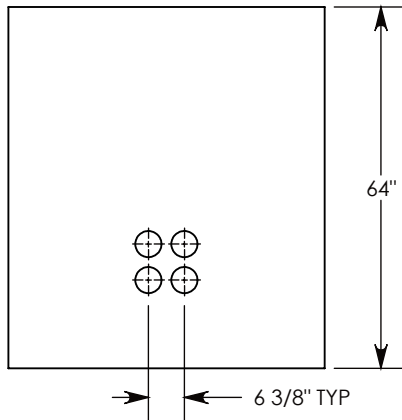
REV. B - MKM - 5/30/2018 - UPDATED MODEL & DRAWING
 REV. C - SIC - 2/26/2020 - UPDATED DRAWING; UPDATED ALUMINUM COVER WEIGHT, WAS 95 LBS; UPDATED BOLT DOWN INSERTS QTY: 8, WAS QTY: 4



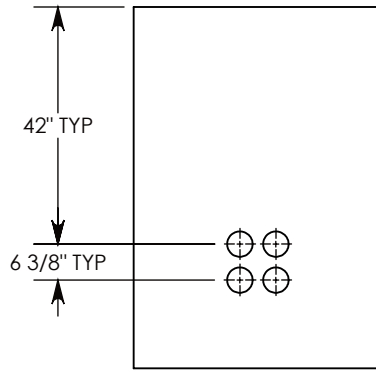
CON-DUCT TERMINATIONS ARE CAST INTO BOX SIDEWALLS. 4 PER SIDE (4X) THEY FIT UP TO 4\"/>

Ø 1/2\"/>

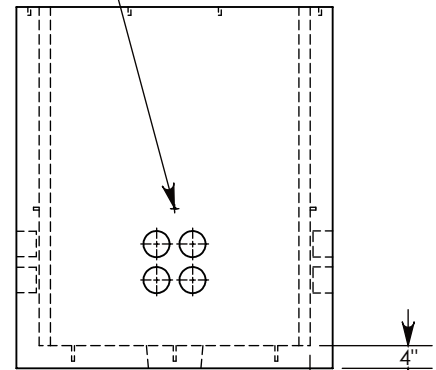
LIFTING RING SHOWN EXTENDED COVER SHOWN IN THIS VIEW



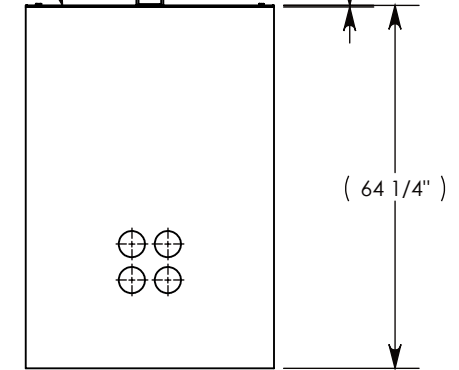
SIDE "A" (HLR)



SIDE "B" (HLR)



SIDE "C"



SIDE "D" (HLR)

NOTE 1: FOR PVC SIZES SMALLER THAN 4", USE CONCAST RC41 (REDUCING COUPLER)
 NOTE 2: FOR ADDED SECURITY, PENTA HEAD BOLTS (P/N: PTA.5-1.5) CAN BE ADDED

PEDESTRIAN RATED - 200 LB. PER SQ. FOOT

| | |
|--------------------------------|----------------------------|
| DRAWN BY: ROBIN FLINT | |
| CREATED DATE: 3/26/2010 | REVISION LEVEL: C |
| SAVED DATE: 2/26/2020 | SAVED BY: scallahan |
| WEIGHT: 4453 LBS. | MATERIAL: NOTED |



1010 NORTH STAR DRIVE
 P.O. BOX 69
 ZUMBROTA, MN 55992-0069

| | | |
|--|---|--------------|
| DESCRIPTION: PULL BOX W/ ALUMINUM COVER | | SHEET 1 OF 1 |
| DIMENSIONS ARE IN INCHES TOLERANCES: FRACTIONAL: ± 1/8" ANGULAR: ± 2° | CONTACT INFORMATION: EMAIL: INFO@CONCASTINC.COM PHONE: (507) 732-4095 FAX: (507) 732-4094 | |
| PART NUMBER: PB4-44-56-64-A | | |