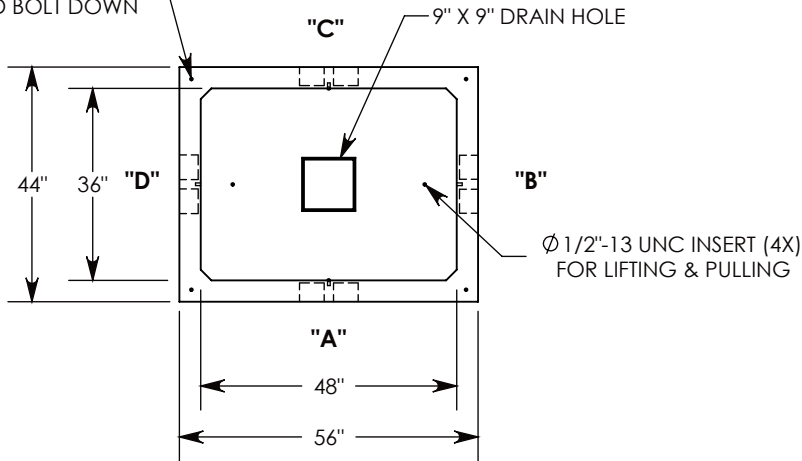


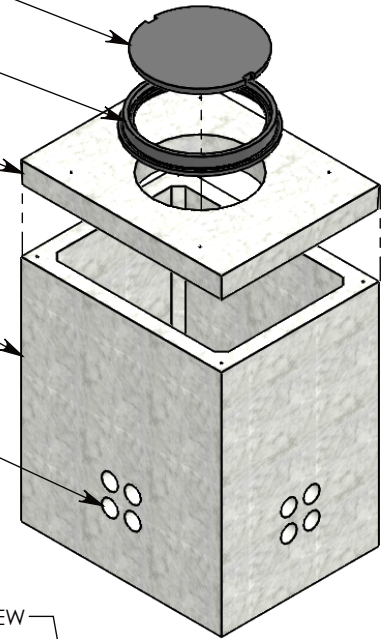
Ø 1/2"-13 UNC INSERTS (4X)
FOR LIFTING AND BOLT DOWN



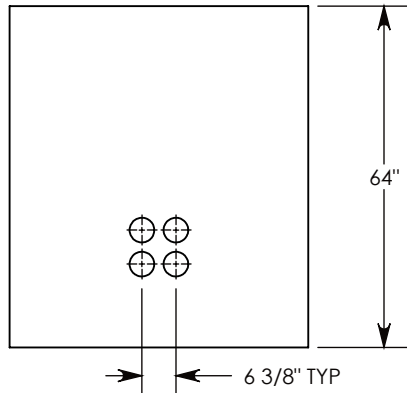
- CAST IRON MANHOLE LID
~239 LBS
P/N: CI-32-26-CVR
- 34 INCH CAST IRON FRAME
~150 LBS
P/N: CI-32-26-FRM
- H-20 HEAVY TRAFFIC RATED
CONCRETE MANHOLE COVER
~1016 LBS
P/N: 44-56-MH

CON-DUCT TERMINATIONS ARE CAST INTO BOX SIDEWALLS. 4 PER SIDE (4X) THEY FIT UP TO 4" PVC PIPE. TO ACCESS THE HOLES, BREAK THE PLASTIC SEAL

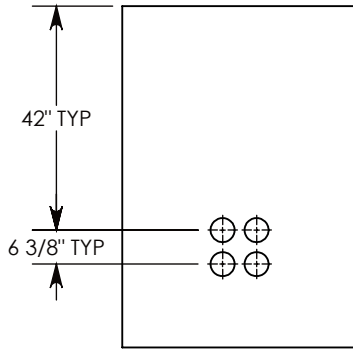
- CONCRETE PULL BOX
~4356 LBS
P/N: PB4-44-56-64



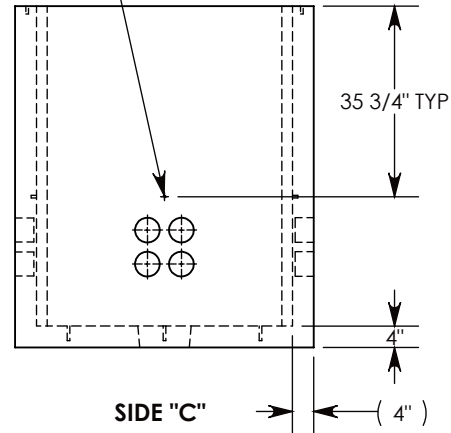
Ø 1/2"-13 UNC INSERT (4X) FOR PULLING EYES. LOCATED ON BOX INTERIOR (1X PER SIDE)



SIDE "A" (HLR)

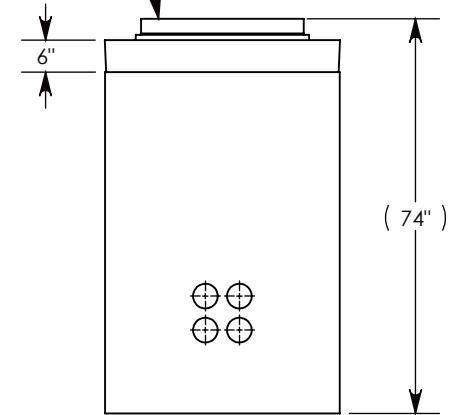


SIDE "B" (HLR)



SIDE "C"

COVER SHOWN IN THIS VIEW



SIDE "D" (HLR)

NOTE 1: FOR PVC SIZES SMALLER THAN 4", USE CONCAST RC41 (REDUCING COUPLER).

DRAWN BY: ROBIN FLINT

DATE: 5/31/2018

REVISION LEVEL: B

5762 LBS. W/COVER

MATERIAL:

WEIGHT:

NOTED



DESCRIPTION:

PULL BOX W/ MANHOLE COVER

DIMENSIONS ARE IN INCHES
TOLERANCES:
FRACTIONAL: ± 1/8"
ANGULAR: ± 2°

CONTACT INFORMATION:
EMAIL: INFO@CONCASTINC.COM
PHONE: (507) 732-4095
FAX: (507) 732-4094

SHEET 1 OF 1

PART NUMBER:

PB4-44-56-64-MH