

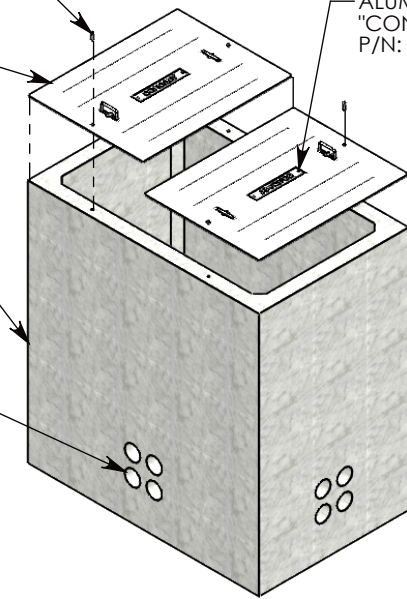
1/2-13 UNC X 1.5" LG HEX HD BOLT (4X)  
P/N: HHB.5-1.5

PEDESTRIAN RATED ALUMINUM COVER (2X)  
~48 LBS  
P/N: 44-34-A

ALUM. ID PLATE (2X)  
"CONCAST"  
P/N: LTR-ID

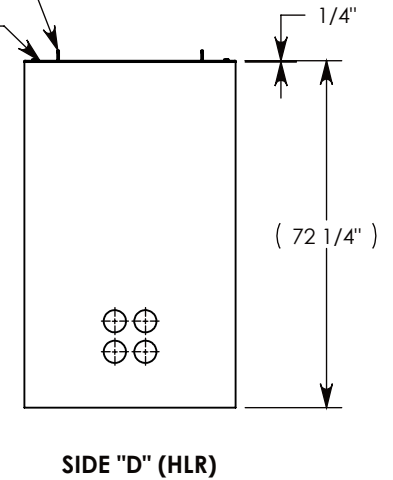
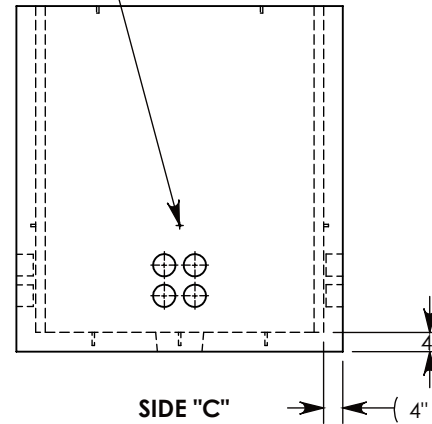
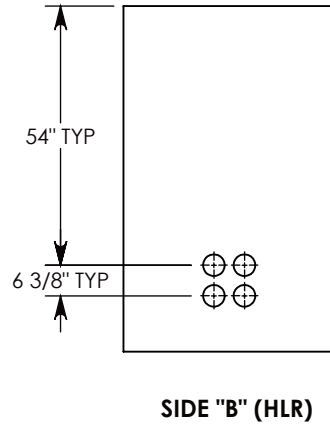
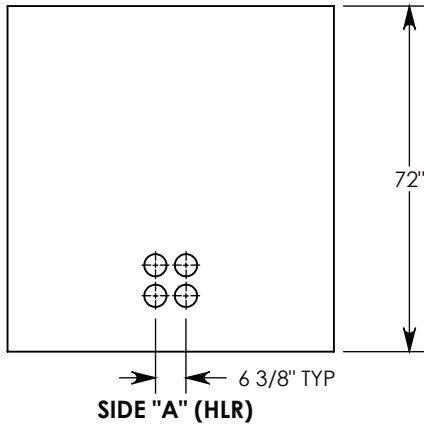
CONCRETE PULL BOX  
~5551 LBS  
P/N: PB4-44-68-72

CON-DUCT TERMINATIONS ARE CAST INTO BOX SIDEWALLS. 4 PER SIDE (4X) THEY FIT UP TO 4" PVC PIPE. TO ACCESS THE HOLES, BREAK THE PLASTIC SEAL



Ø 1/2"-13 UNC INSERT (4X) FOR PULLING EYES. LOCATED ON BOX INTERIOR (1X PER SIDE)

LIFTING RING SHOWN EXTENDED  
COVER SHOWN IN THIS VIEW



NOTE 1: FOR PVC SIZES SMALLER THAN 4", USE CONCAST RC41 (REDUCING COUPLER)  
NOTE 2: FOR ADDED SECURITY, PENTA HEAD BOLTS (P/N: PTA.5-1.5) CAN BE ADDED

PEDESTRIAN RATED - 200 LB. PER SQ. FOOT

DRAWN BY: **MALACHI MLINAR**

CREATED DATE: **7/31/2018** REVISION LEVEL: **B**

SAVED DATE: **2/27/2020** SAVED BY: **scallahan**

WEIGHT: **5648 LBS.** MATERIAL: **NOTED**



DESCRIPTION:  
**PULL BOX W/ ALUMINUM COVER**

DIMENSIONS ARE IN INCHES  
TOLERANCES:  
FRACTIONAL: ± 1/8"  
ANGULAR: ± 2°

CONTACT INFORMATION:  
EMAIL: [INFO@CONCASTINC.COM](mailto:INFO@CONCASTINC.COM)  
PHONE: (507) 732-4095  
FAX: (507) 732-4094

SHEET 1 OF 1

PART NUMBER:  
**PB4-44-68-72-A**