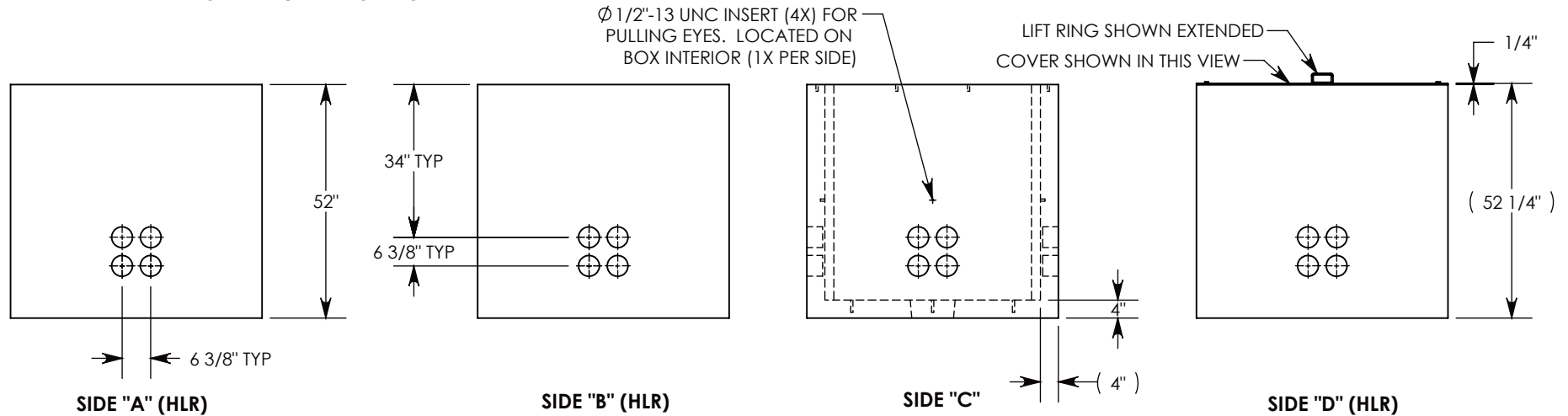
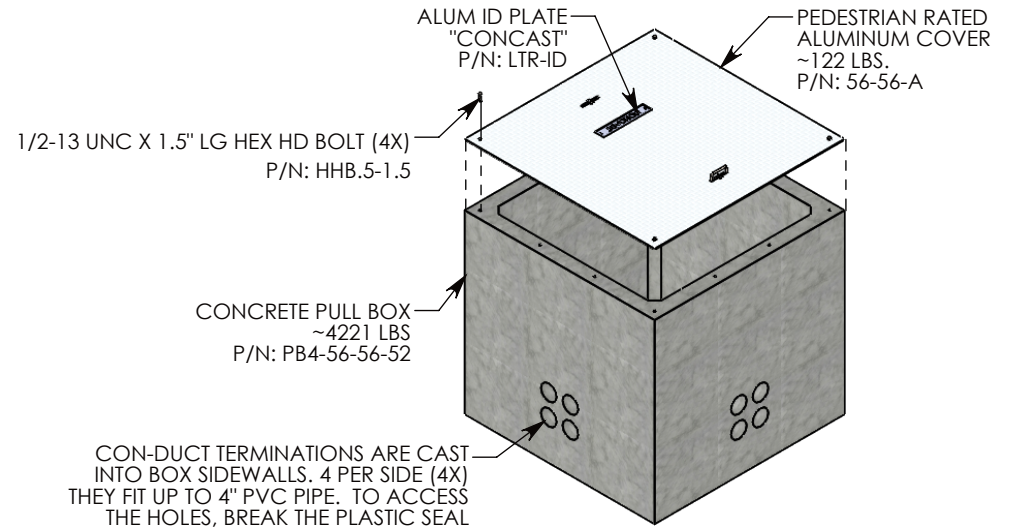
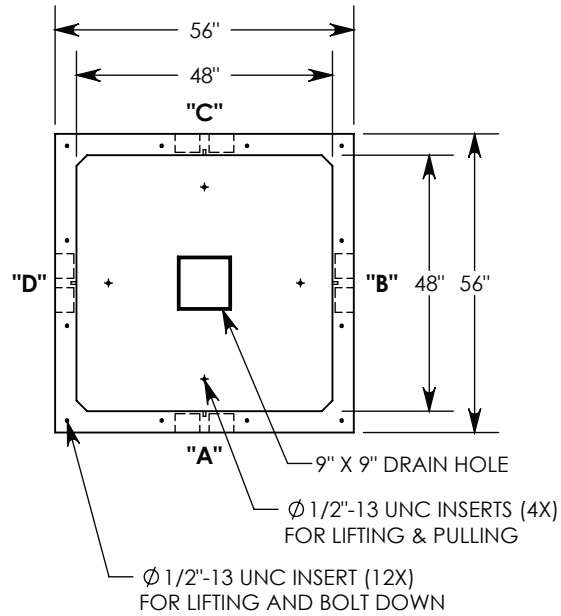


REV. A - JCG - 5/14/2018 - UPDATED COVERS & ADDED BOLTS
 REV. B - SIC - 10/9/2019 - 1/2"-13 UNC BOLT DOWN INSERTS, QTY: 12 WAS QTY: 4
 REV. C - SIC - 2/19/2020 - UPDATED ALUMINUM COVER WEIGHT, WAS 124 LBS



NOTE 1: FOR PVC SIZES SMALLER THAN 4", USE CONCAST RC41 (REDUCING COUPLER)
 NOTE 2: FOR ADDED SECURITY, PENTA HEAD BOLTS (P/N.5-1.5) CAN BE ADDED

PEDESTRIAN RATED - 200 LB. PER SQ. FOOT

DRAWN BY: ROBIN FLINT	
CREATED DATE: 3/26/2010	REVISION LEVEL: C
SAVED DATE: 2/19/2020	SAVED BY: scallahan
WEIGHT: 4344 LBS.	MATERIAL: NOTED

CONCAST
 1010 NORTH STAR DRIVE
 P.O. BOX 69
 ZUMBROTA, MN 55992-0069

DESCRIPTION: PULL BOX W/ ALUMINUM COVER		SHEET 1 OF 1
DIMENSIONS ARE IN INCHES TOLERANCES: FRACTIONAL: ± 1/8" ANGULAR: ± 2°	CONTACT INFORMATION: EMAIL: INFO@CONCASTINC.COM PHONE: (507) 732-4095 FAX: (507) 732-4094	
PART NUMBER: PB4-56-56-52-A		