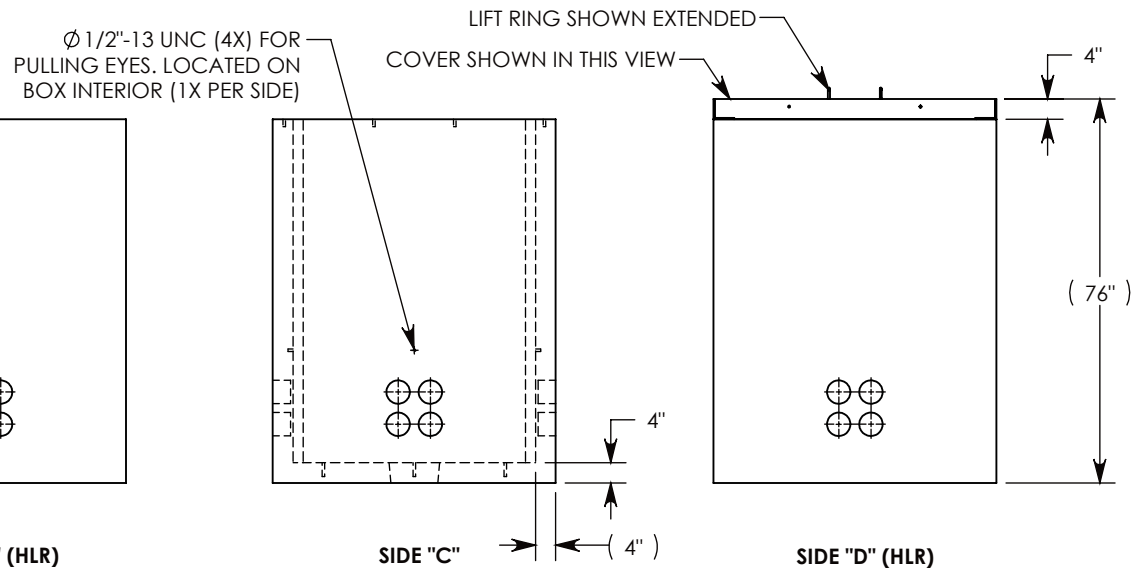
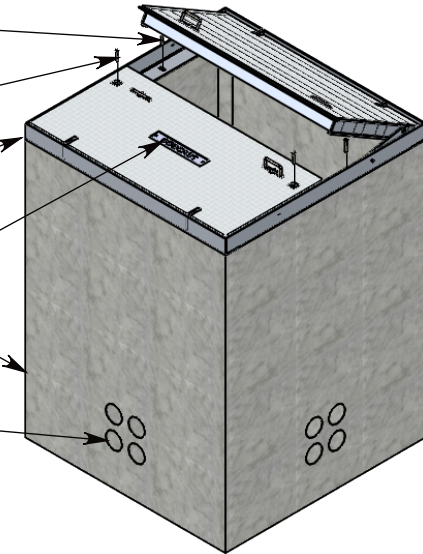


- 1/2-13 UNC X 2.5" LG HEX HD BOLT (4X)  
P/N: HHB.5-2.5
- 3/8-16 UNC X 2.5" LG HEX HD BOLT (2X)  
P/N: HHB.38-2.5
- BOLT-DOWN ALUMINUM FRAME & HALT COVER  
~254 LBS  
P/N: 56-56-HALT
- ALUM ID PLATE  
"CONCAST"  
P/N: LTR-ID
- CONCRETE PULL BOX  
~5597 LBS  
P/N: PB4-56-56-72
- CON-DUCT TERMINATIONS ARE CAST INTO BOX SIDEWALLS. 4 PER SIDE THEY FIT UP TO 4" PVC PIPE. TO ACCESS THE HOLES, BREAK THE PLASTIC SEAL.



**NOTE 1:** FOR PVC SIZES SMALLER THAN 4", USE CONCAST RC41 (REDUCING COUPLER).

**NOTE 2:** FOR ADDED SECURITY, PENTA HEAD (P/N: PTA.38-2.5) OR SURELOCK BOLTS (P/N: SL.38-2.5) CAN BE ADDED

AASHTO H-10 RATED – 16,000 LB. SINGLE AXLE LOAD

<b>DRAWN BY: SAMUEL CALLAHAN</b>		 1010 NORTH STAR DRIVE P.O. BOX 69 ZUMBROTA, MN 55992-0069	<b>DESCRIPTION:</b>		
<b>CREATED DATE: 5/28/2019</b>	<b>REVISION LEVEL: 0</b>		<b>CONCRETE PULL BOX w/ HALT COVER</b>		
<b>SAVED DATE: 10/9/2019</b>	<b>SAVED BY: scallahan</b>		DIMENSIONS ARE IN INCHES TOLERANCES: FRACTIONAL: ± 1/8" ANGULAR: ± 2°	CONTACT INFORMATION: EMAIL: INFO@CONCASTINC.COM PHONE: (507) 732-4095 FAX: (507) 732-4094	SHEET 1 OF 1
<b>WEIGHT: 5852 LBS.</b>	<b>MATERIAL: NOTED</b>		<b>PART NUMBER: PB4-56-56-72-HALT</b>		